

# NorthCoast 255 Hard Top

By C & C Marine, Inc

*Owner's Manual*



## 255 CABIN

### General Specifications

L.O.A: 31'-2"

Beam (Max): 9'-5"

Draft (Hull): 1'-7"

Dead rise (Transom): 22 degrees

Dry Weight: 5404 lbs.

Power (max) 500 HP

Fuel: 159 gallon

**Better Design, Superior Construction**

Date: 2/4/20

# Table of Contents

1) INTRODUCTION	Page 3
Dealer & Owner Responsibilities	
2) SAFETY	Page 4
US Coast Guard Equipment	
Rules of the Road	
3) ELECTRICAL	Page 5
Electrical Schematic	
4) PLUMBING	Page 12
Bilge Pump	
Plumbing Schematic	
Baitwell Operation	
5) CONTROLS	Page 24
Steering	
Shift & Throttle	
Trim Tabs	
Instrumentation	
6) FUEL SYSTEM	Page 25
Fuel System Operation	
Schematic	
7) VESSEL OPERATION	Page 30
Weight	
Fueling	
Trim	
Trim Tabs	
Starting	
8) MAINTENANCE	Page 33
Fiberglass and Gelcoat	
Other Exterior Components	
Winterization, Storage and Commissioning	
9) CONSTRUCTION DETAILS	Page 37
10) COMMISSIONING CHECKLIST	Page 39
11) STANDARD & OPTIONAL EQUIPMENT	Page 41
12) SPECIFICATIONS & INFORMATION	Page 45
13) WARRANTY	Page 46
Warranty Policy	
Warranty Registration	
Warranty Transfer	
14) TOOLS AND EQUIPMENT	Page 51
15) LOADING YOUR BOAT	Page 52

# INTRODUCTION

**WELCOME!** You are now a member of the C&C Marine family. We want to thank you for joining us with the purchase of your NorthCoast 255 Hard Top.

The NorthCoast 255 Hard Top hull style provides the most comfortable ride in demanding conditions. All materials used in this model are of the highest quality from reliable domestic vendors. The boat is constructed in accordance with American Boat and Yacht Council (ABYC) standards and The Code of Federal Regulations, section 33 as applicable.

This manual and the accompanying equipment documentation are intended to provide you with information necessary for the proper operation of the NorthCoast 255 Hard Top. Take the time to review all literature. Get to know your boat. This manual is not a safe boating guide.

## **Dealer Responsibilities**

Your dealer's responsibilities include, but are not limited to:

- Pre-delivery verification of proper rigging and operation.
- Provide adequate orientation for the general operation of your NorthCoast. This should be a system walk-through with a full explanation of safe and proper operation.
- An explanation and review of the owner's packet.
- Jointly complete all warranty cards and product registrations.

## **Owner Responsibilities**

As the vessel owner, your responsibilities include, but are not limited to:

- Be proficient in boat handling, operation, rules of the road, navigation and so forth.

**THIS MANUAL IS NOT INTENDED TO SUBSTITUTE FOR THE GENERAL ASPECTS OF BOAT HANDLING, NAVIGATION OR ANY OTHER SAFETY ISSUES.**

- Read and understand the limited warranty.
- Read all literature and instructions.
- Use and maintain all equipment as directed.
- Perform a thorough examination and sea-trial at the time of delivery.
- Learn about and operate your vessel in accordance with all local, state and federal laws, regulations and registration requirements.

**You alone are legally responsible for all liabilities of operation.**

**Make sure to obtain appropriate insurance coverage.**

## **SAFETY**

Your NorthCoast 255 Hard Top has been designed and constructed with safety in mind. As mentioned, the hull form provides the best sea-keeping ability for all around recreational use. However, the safety of you and your passenger's rests solely with the owner. The U. S. Coast Guard (USCG) is the governing authority for U. S. waters. As such, the owner should become familiar the rules of the road and stay current with USCG boating safety circulars. There are numerous publications available from the USCG. To obtain this information, visit [www.boatingsafety.com](http://www.boatingsafety.com) or call the boating safety hotline at 1-800-368-5647.

### **US Coast Guard Equipment**

USCG Regulations require certain equipment be maintained and carried aboard your boat at all times. The equipment includes:

Fire Extinguisher  
One Type II Personal Flotation Device (PFD) for each occupant  
One Type IV PFD  
Sound Signal Device  
Navigation Lights when operating at night  
Sight Signal Flare Kit  
Anchor and Sufficient Line

THESE REQUIREMENTS ARE SUBJECT TO CHANGE. IT IS THE OWNER'S RESPONSIBILITY TO MAINTAIN THE NECESSARY EQUIPMENT.

### **Rules of the Road**

The USCG conducts boating safety classes on a regular basis in all regions of the country. If you are not familiar with the rules for safe boating, you should take a class. Some basic highlights for safe operation and navigation include:

- A vessel under power shall yield to a vessel under sail.
- An overtaking vessel shall keep clear of the vessel ahead.
- Commercial vessels have right of way over recreational vessels.
- Know and observe navigational buoys, markers and other aids to navigation.
- Vessels approaching head on shall pass Port to Port.
- A vessel approaching from starboard has right of way.

# **ELECTRICAL**

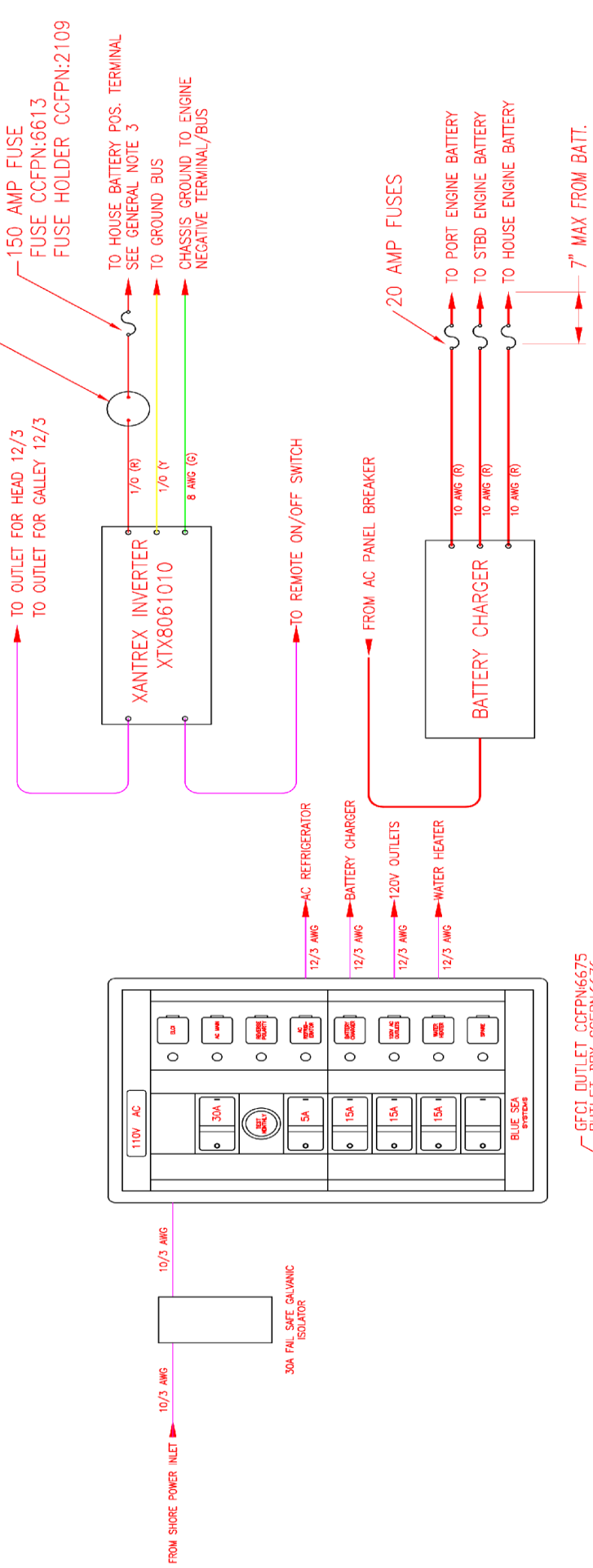
## **Electrical System**

A direct current electrical system is provided. The system is comprised of one Group 24 starting battery, rated at 800CCA. This is located in the battery box under the seat. The boat is supplied with a battery selector switch located at the helm on the starboard side outboard. The battery switch supplies the two fuse panels located on the forward face of the helm station inside the cabin. The sizes, labels and functions are as shown:

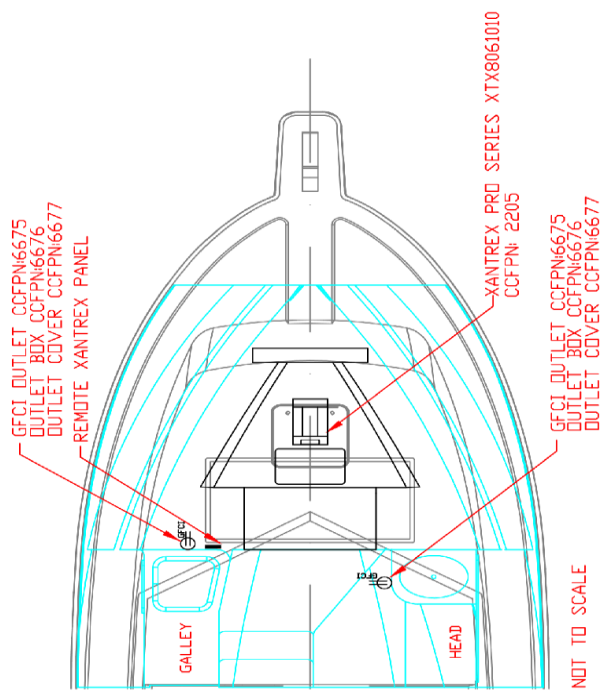
# REVISIONS

NO.	DESCRIPTION	DATE
-----	-------------	------

- NOTES:
- 1: THE MAIN AC SYSTEM GROUNDING BUS SHALL BE CONNECTED TO THE NEGATIVE GROUND BUS.
  - 2: THE SHORE POWER NEUTRAL IS GROUNDED THROUGH THE SHORE POWER CABLE AND SHALL NOT BE GROUNDED ON BOARD THE BOAT.
  - 3: OVER CURRENT PROTECTION FUSE & NON JACKETED SHALL BE LOCATED 7" MAX FROM BATTERY. JACKETED 72" (JACKET=SELF EXTINGUISHING)



OPTIONAL 110V AC SHORE POWER SYSTEM



C & FIBERGLASS  
COMPONENTS INC  
75 BALLJOU BLVD, BRISTOL, RI 02809 USA  
PHONE: (401) 254-4342 FAX: (401) 254-8978

110VAC & BATTERY CHGR

DWG. NO. NC255HT500B

SCALE	NONE	DATE	1/2/20
DRAWN BY:	RJP		

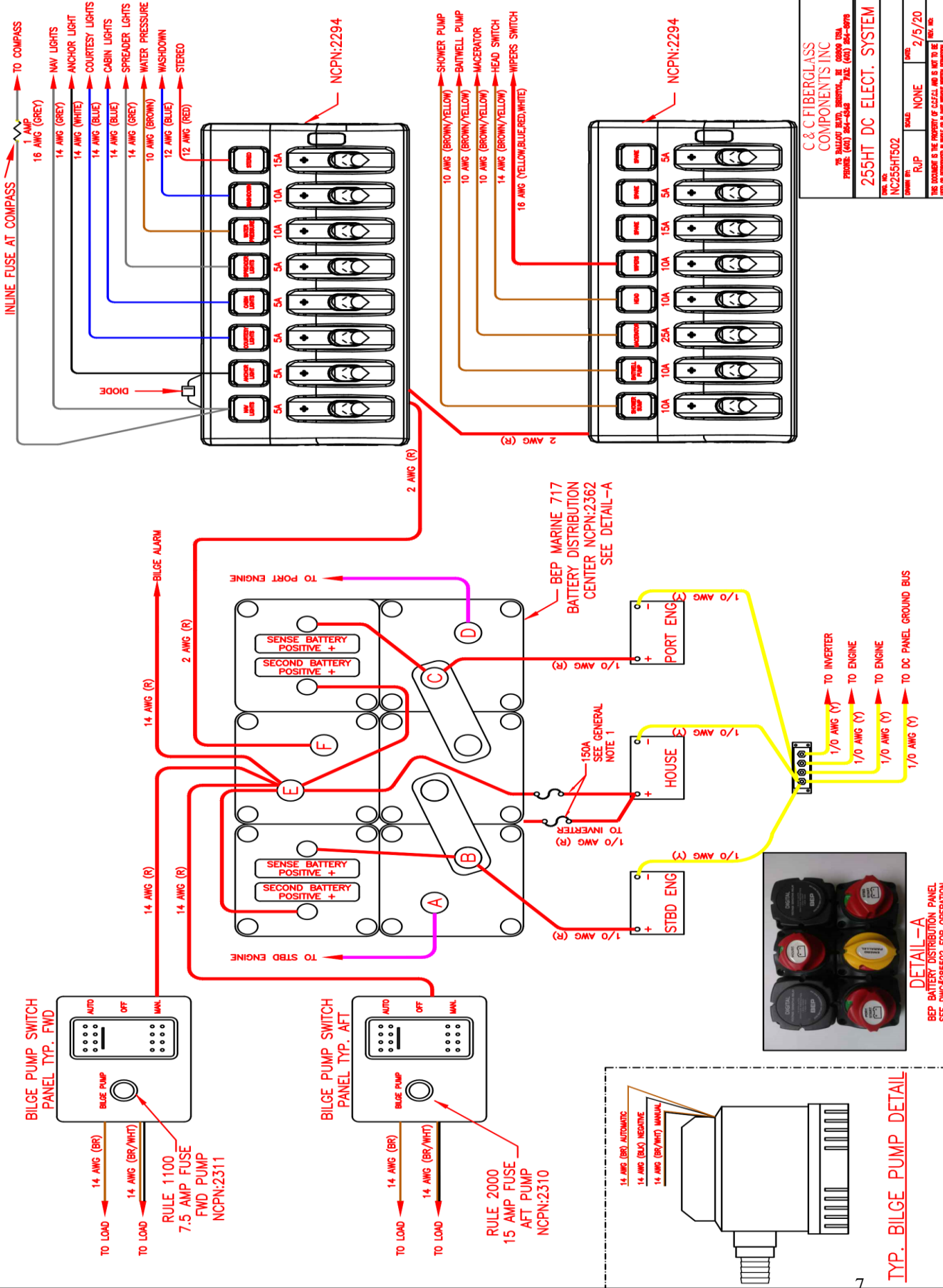
THIS DOCUMENT IS THE PROPERTY OF CCFGL AND IS NOT TO BE USED OR REPRODUCED IN WHOLE OR IN PART WITHOUT WRITTEN PERMISSION

# REVISIONS

NO.	DESCRIPTION	DATE
1	RELEASE FULLY UPDATED DWG	2/14/20

### GENERAL NOTES:

1: OVERCURRENT PROTECTION SHALL BE LOCATED 7" WITHOUT SELF EXTINGUISHING JACKET OR 72" WITH - SEE ABYC E11.10



C & C FIBERGLASS COMPONENTS INC	
70 BALLOON BLVD. BRISTOL, RI 02809 USA	
PHONE: (401) 854-6348 FAX: (401) 854-8978	
255HT DC ELECT. SYSTEM	
REV. NO.	NC255HT502
SCALE	R/J
DATE	2/5/20
THIS DRAWING IS THE PROPERTY OF C&C&C. IT IS NOT TO BE REPRODUCED OR COPIED IN ANY MANNER WITHOUT THE WRITTEN PERMISSION OF C&C&C.	

# SWITCH POSITION WHEN RUNNING TWIN ENGINES AND HOUSE

HOUSE BATTERY POSITION ON



STBD. ENGINE POSITION ON

PORT ENGINE POSITION ON

EMERGENCY PARRALLEL SWITCH USED ONLY TO START AN ENGINE BATTERY THAT DOES NOT HAVE THE CAPACITY TO START THE ENGINE.  
(THE SWITCH SHOULD NOT BE LEFT ON NO LONGER THAN 10min.)



## ELECTRICAL SYSTEMS

### 12 VOLT DC SYSTEM

- **PANEL DESCRIPTION**

The DC main electric panel distributes the ship's power from the house batteries and protects each electrical component and associated ship's wiring from overcurrent situations. One battery switch is used to select which battery will supply power to the panel's main DC circuit breaker. The panel's main breaker protects the internal panel wiring from potential dangers caused by operating more electrical components than the panel can safely handle. It may be used like a switch to turn the entire system on and off. Each electrical component is activated by a separate circuit breaker sized specifically for that component and wiring. The panel includes a voltmeter to evaluate the quality of power supplied by the battery.

- **OPERATING PROCEDURES AND PRECAUTIONS**

Prior to operating the electrical panel, use the "House" battery switch to supply the power. Use the battery test switch to verify sufficient voltage to operate the system. Turn on the panel main breaker and the individual breakers as desired. Before leaving the boat, turn off the main breaker and the battery switch.

- **BATTERY SWITCH**

One rotary switch is mounted under by the helm station. These UL listed switches allow power to go from the house batteries to the main DC panel. The engine batteries can be supplemented temporarily with the house batteries by means of the paralleling switch at the helm station. The engine batteries cannot be used in parallel with the house batteries to power the main DC panel. The battery #1 battery #2 tester on the main DC panel is for checking the status of the individual house battery banks. Industry convention uses battery #1 as the "House" battery bank and battery #2 as the Engine battery bank. Battery bank #1 consists of two batteries wired in parallel to increase its capacity.

- **BATTERY TEST SWITCH**

The voltmeter installed on the electrical panel will give an indication of the charge status of each of the house batteries. The voltmeter should read between 12.8V and 13.2V for a fully charged battery. When the engine is charging the battery, the meter should read between 14.2V and 14.8V.

- **MINIMUM VOLTAGE REQUIREMENTS**

As the power is used from the battery, the voltage supplied is reduced. To prevent damage to electrical components, especially motors, do not operate the electrical system if less than 11.0V is available.

- **INDIVIDUAL CIRCUIT BREAKERS**

Like the main breaker, the individual circuit breakers are designed to function as switches as well as provide overcurrent protection. Space is provided for additional breakers if optional electrical equipment is installed. We recommend that the individual breakers be activated only as needed and left off otherwise.

- **CABIN LIGHTS -- FORWARD**

All of the cabin lights in the forward cabin are activated by this circuit breaker.

- **NAVIGATION LIGHTS**  
This circuit breaker activates the running lights switch at the helm station for the red and green side lights, the stern light in the transom, and the masthead or steaming light. These lights provide the proper lighting required by law for operation at night under power.
- **ANCHOR LIGHT**  
This circuit breaker activates the Anchor Light switch at the helm station. This light is required by law when anchoring at night outside established anchorages.
- **COCKPIT LIGHTS**  
The cockpit courtesy lights are activated by this circuit breaker.
- **HORN**  
The momentary switch at the helm station for the horn is controlled by this circuit breaker.
- **STEREO**  
This circuit breaker provides power to the stereo. Both the breaker and the stereo itself must be on for the stereo to operate.
- **WASHDOWN PUMP**  
This circuit breaker provides power to the optional washdown pump.
- **INSTRUMENTS**  
All of the instruments are activated by this circuit breaker.
- **VHF RADIO/TRANSMITTER**  
The VHF radio is activated by this circuit breaker. The radio itself has a switch which must be turned on for it to operate.
- **SPARE**  
This circuit breaker is provided for the addition of electrical equipment. Be sure not to exceed its capacity when installing additional equipment.
- **BILGE PUMPS**  
The electric bilge pumps are wired directly to the batteries and are always active as long as there is power in the batteries. Each circuit has a 15 amp in-line fuse located under the helm console. The pumps can be operated by manual switches or be set to the float switches from the helm station panel.
- **BATTERIES**  
The batteries are positioned under the console. These batteries are sealed type which do not require any maintenance. If for any reason a battery needs to be replaced ensure that another is used as charging rates vary with different types of batteries.

- **BONDING AND LIGHTNING PROTECTION**

- **BONDING SYSTEM**

- To reduce galvanic action caused by different metals in close proximity to each other, all major metal masses are bonded (wired) together including the engine in accordance with ABYC.

- **LIGHTNING PROTECTION**

In spite of the bonding system, there can be no assurances that personnel or the boat will not suffer damage or injury if the vessel is hit by lightning. The following, adapted from the ABYC safety standards, are suggestions only, and in no way guarantee safety.

- 1) If possible, remain inside the boat and close all hatches during a lightning storm. Do not contact any metallic objects or components of the electrical system inside the vessel.
- 2) Avoid making contact with any items connected to the bonding system (engines, generator, thru-hulls, etc.) and especially in a way to bridge between two of them.
- 3) No one should be in the water during a lightning storm.
- 4) If the boat has been struck by lightning, the compass and all electrical gear should be checked to determine that no damage or change in calibration has occurred.

# **PLUMBING**

## **Bilge Pump**

The bilge pump is located in the bilge pump compartment aft at the transom. The bilge discharge is located starboard at the sheer.

## **Saltwater Washdown**

The saltwater washdown spigot is located on the transom, port side. The saltwater is fed from a pump, located on the transom, port side. The saltwater pump inlet is located aft in the bilge pump compartment.

NOTE:

1. Operator must open intake seacock to use Saltwater Washdown or Baitwell.
2. When not in use, the power switch should be off and seacock valve(s) closed.

# **BAITWELL**

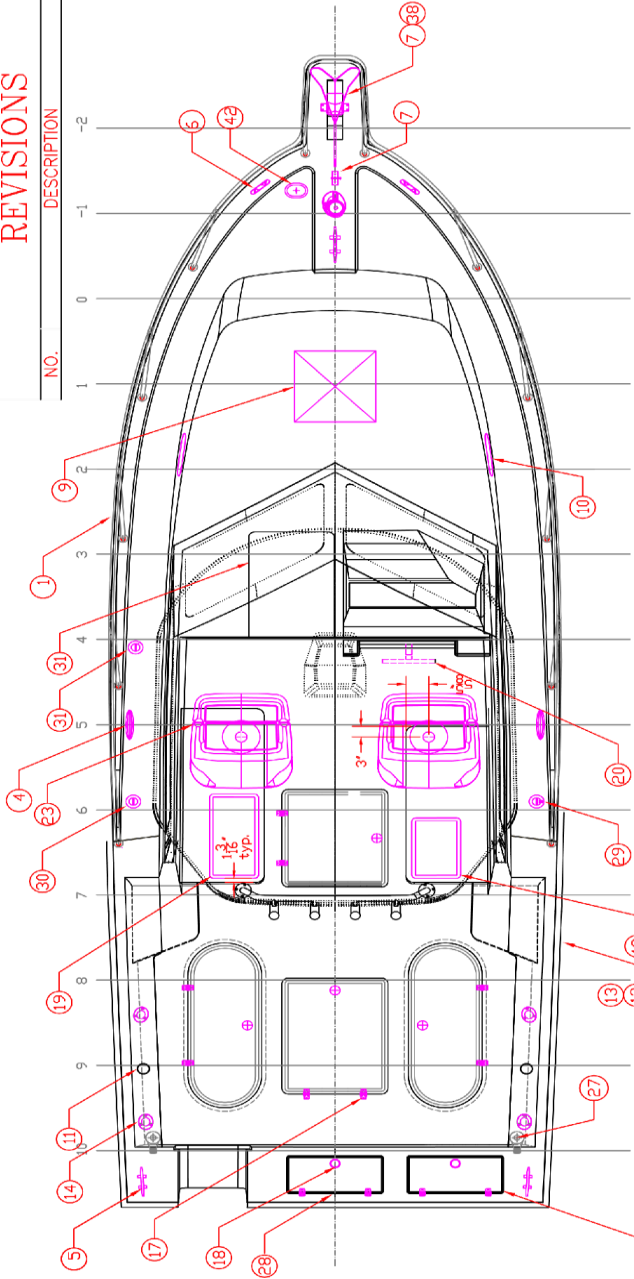
## **Baitwell Operation**

The baitwell is located aft at the transom. The baitwell is filled via the aerator spigot. The water is supplied by the saltwater washdown system. The baitwell is filled by placing the overflow drain tube into the fitting at the bottom of the baitwell. To drain the baitwell simply unscrew the tube until the drain holes in the threaded fitting are exposed. The baitwell drains overboard unassisted to the port side at the boot top.

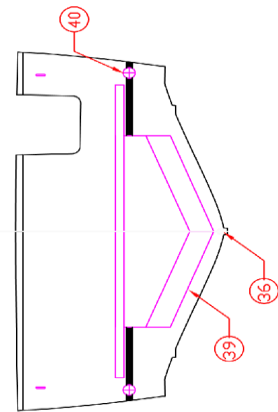
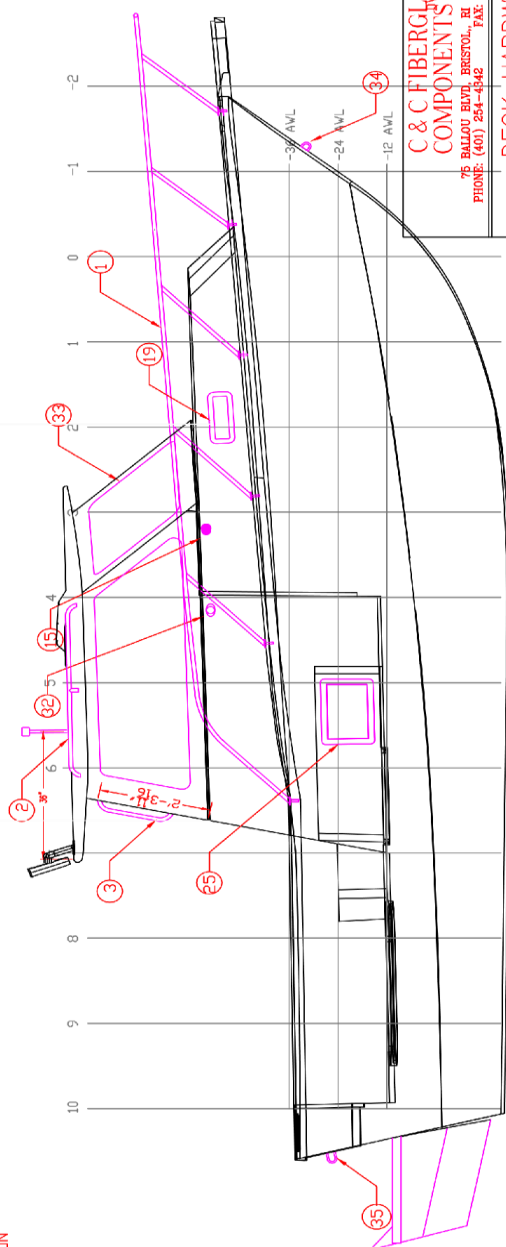
ITEM #	NORTHCOAST PART #	DESCRIPTION	NC #	QTY.
1	NC255HT Bow Rail	OMF - NC255HT BOW RAIL	3045	1
2	Grab Rail, 1" X 48", Double Loop, S.S.	OCEAN MARINE FAB	3173	2
3	Grab Rail, 1" X 18", Single Loop, S.S., 5/16" Nut	WHITE WATER MARINE - 95002	3171.5	2
4	Cleat, 8", Flush, S.S.	ATTWOOD - 66519-1	3091	2
5	Cleat, 10" Herreshoff S.S		3085	3
6	Chocks, 6", Skene, Port & Stbd, S.S.		3073	2
7	Anchor Lock, 7/16" Chain, S.S.	KELLOGG - 332-AL1	3001	1
8	Anchor Roller, Medium, 13lbs - 28 lbs. Danforth, WINAR5	KELLOGG - 332-AR5	3011	1
9	Hatch, Bomar, 19 1/8" X 19 3/8", Molded W/Trim Ring & Screen, White	BOMAR - G966-2122	3205	1
10	Port, Opening, 5" X 12", Rain Drain, White, Clear Lens w/ 2" Spigot	235 OPENING PORT	3283	2
11	Holder, Drink	KELLOGG - 50-79420	3231	4
12	Rub Rail, Black, #R1051, 20' PCS	INTEGRITY - BARBOUR	3309	xx
13	Rub Rail Insert, Black, #F850, 60' Coils	INTEGRITY - BARBOUR	3305	xx
14	Rod Holder, " NorthCoast ", W/Black Insert & Cap	PRIME - 87509-NC	3295	4
15	Light, Nav, Horizontal Side Mount LED Side, Pair	KELLOGG - 9-0616DP2STS	2250	1
16	Light, Nav, LED Pole Light - 24" Fold Down	KELLOGG - 50-02881	2252	1
17	Hinge SS Door	ATTWOOD - 66028-1	3215	12
18	Latch, Non-Locking Lift Handle, 360 Deg Turn, S.S.	GEM - 1266-2	3243	5
19	Hatch, Access, 13" X 24", White, HDSS-1324-2 (Cockpit & Anchor)	TH MARINE - HDSS-1324-2	3203	3
20	Wheel, Power, Polished Stainless, with SS Nut and Pro Knob	EDSON		1
21	3 Step SS Sport/Diver Ldr.	ATTWOOD - 19833	3168	1
22	Spt. Diver Transom Exten Shim 2	ATTWOOD - 99181	3169	1
23	Seat, Helm Seat Package Complete	TODD - 7550-6CCFB	3341	2
24	90 Deg Rd Base Fitting-7/8-Ss	KELLOGG - SCP 37811	2610	1
25	Starboard Tackle Station	CMP		2
26	Footrest, Folding, 15", White, Poly	ATTWOOD	3165	2
27	Low Profile Drain 1 1/2"	WHITE CAP	2548	2
28	Baitwell Hatch (same style as 215) Two (Transom and Stbd. Seat)	TEAK ISLE	3378	1
29	Deck Fill, Fuel, Straight, Chrome, Diurnal System	ATTWOOD - 99DFCCSZ1	4500	1
30	Deck Fill, Waste, 1 1/2" Hose, S.S.	ATTWOOD - 99202WS1	2521	1
31	Deck Fill, Water, 1 1/2" Hose, S.S.	KELLOGG - 694-01234915	2565	1
32	Horn			1
33	NC255HT Windshield Kit (Cost includes crating NOT SHIPPING)	WYNNE		1
34	Eye, Bow, 1/2" X 3-7/16", SS - MOQ12	KELLOGG - 50-33630	3155	1
35	Eye Nut, Lifting, 1/2"	SUNCOR - S0322-0013	3151	2
36	Garboard Drain Plug 3/4	KELLOGG - PKO 0266DPOPLB	2544	1
37	Thru-hull, 1-1/2" Barb w/Flap, S.S.	GEM - 71007-2	2687	2
38	Anchor			1
39	Armstrong Bracket	ARMSTRONG 255		1
40	Thru-hull, 1-1/2" Barb w/Flap, S.S.	GEM - 71007-2	2687	2
41	Companionway Door	TEAK ISLE		1
42	Hawse Pipe Suncor	S3810-0000	3111	
43	Hatch, Access 13x17, White, (Cockpit & Anchor)			

# REVISIONS

NO.	DESCRIPTION	DATE
1		
2		
3		
4		
5		
6		
7		
8		
9		
10		
11		
12		
13		
14		
15		
16		
17		
18		
19		
20		
21		
22		
23		
24		
25		
26		
27		
28		
29		
30		
31		
32		
33		
34		
35		
36		
37		
38		
39		
40		
41		
42		
43		
44		
45		
46		
47		
48		
49		
50		



ICE BOX  
FRP HATCH  
29 GALLON

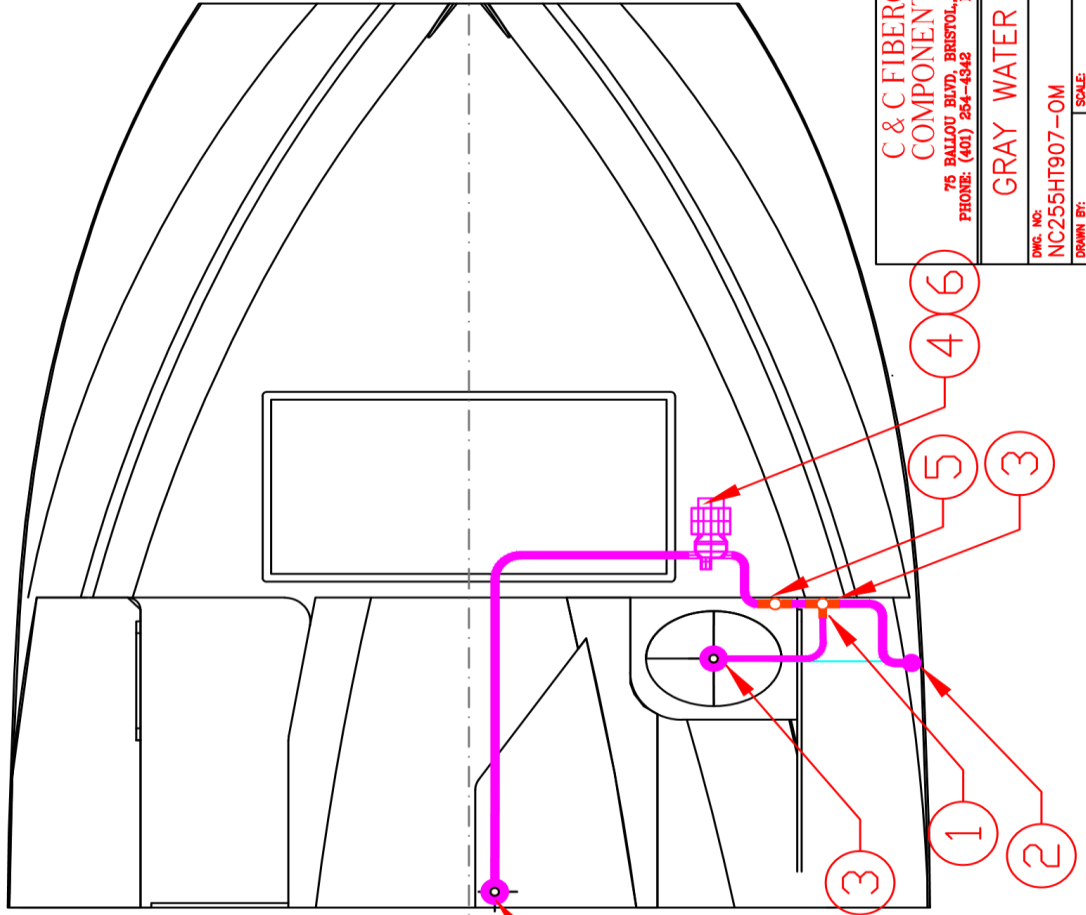


**C & C FIBERGLASS COMPONENTS INC**  
 705 BULLOCK BLVD., BRISTOL, RI 02809 USA  
 PHONE: (401) 254-4348 FAX: (401) 254-8978

<b>DECK HARDWARE</b>	
DWG. NO. NC255HT910-0M	DATE 4/24/19
DRAWN BY RJP	SCALE 3/8" = 1'
THIS DOCUMENT IS THE PROPERTY OF C.C.F.C.I. AND IS NOT TO BE REPRODUCED OR USED OR REPRODUCED IN WHOLE OR IN PART WITHOUT WRITTEN PERMISSION.	

NorthCoast 255HT Gray Water System

ITEM	NORTH COAST PART#	DESCRIPTION	QTY.
1	48315K27	TEE 1" x 1" x 3/4"	1
2	2683	1 " THRU HULL STRAIGHT	1
3	2543	SINK DRAIN W/ STOPPER	1
4	SG8284	GULLEY IC GRAY WATER PUMP	1
5	903001	3/4" VENTED LOOP	1
6	2637	3/4" HOSE (GREEN STRIPE)	X
7	104-1000	1" HOSE (GREEN STRIPE)	X



C & C FIBERGLASS  
COMPONENTS INC  
76 BALLOU BLVD, BRISTOL, RI 02809 USA  
PHONE: (401) 264-4342 FAX: (401) 264-8978

GRAY WATER SYSTEM

DWG. NO. NC255HT907-OM

SCALE:

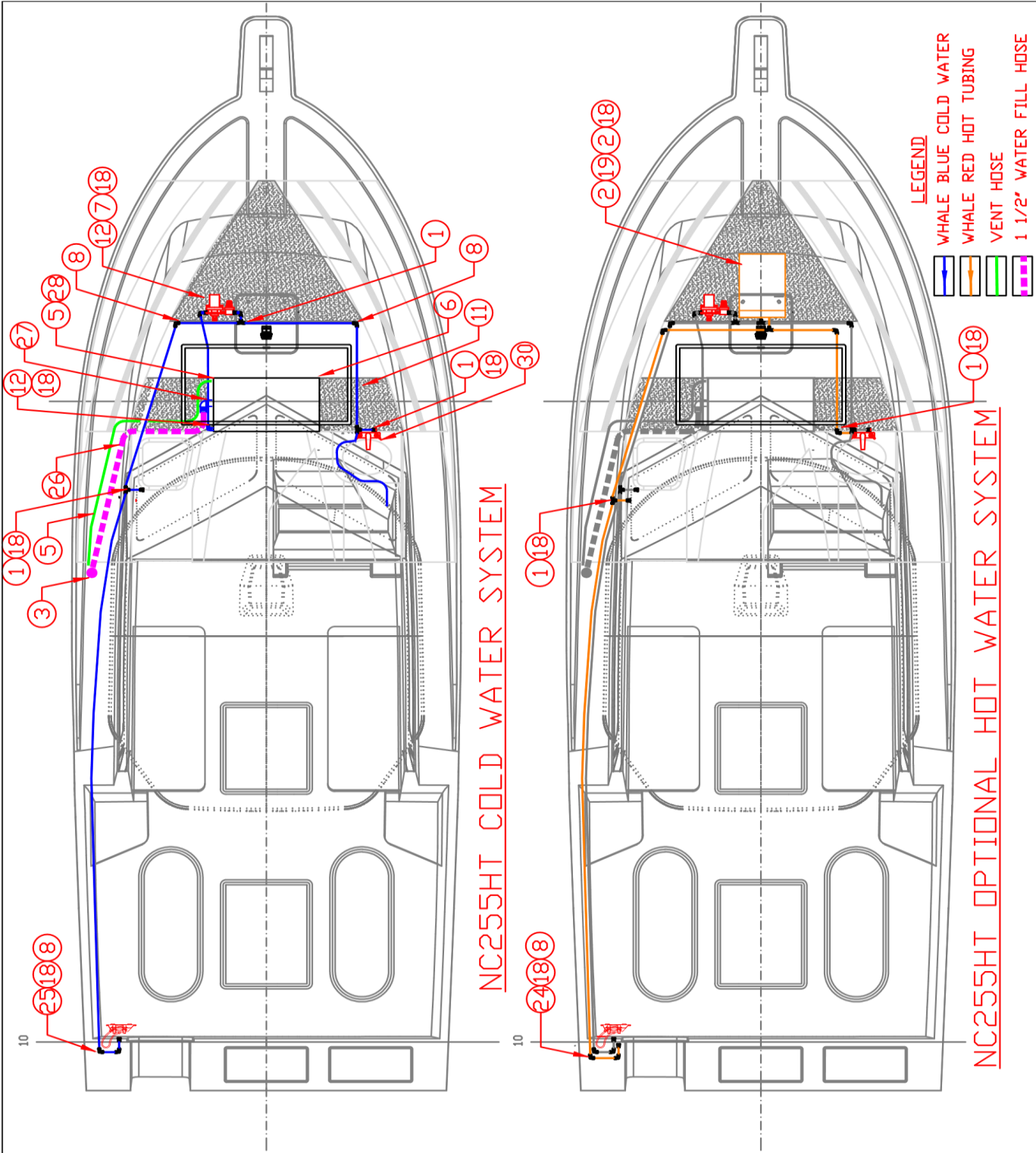
DATE: 5/22/19

REV. NO. 0  
DRAWN BY: RJP  
THIS DOCUMENT IS THE PROPERTY OF C.C.F.C.I. AND IS NOT TO BE USED OR REPRODUCED IN WHOLE OR IN PART WITHOUT WRITTEN PERMISSION.



VIEW @ HEAD VANITY





- LEGEND**
- WHALE BLUE COLD WATER
  - WHALE RED HOT TUBING
  - VENT HOSE
  - 1 1/2" WATER FILL HOSE

NC255HT COLD WATER SYSTEM

NC255HT OPTIONAL HOT WATER SYSTEM

## NORTHCOAST 255HT COLD WATER

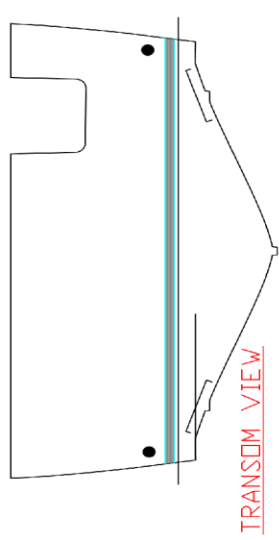
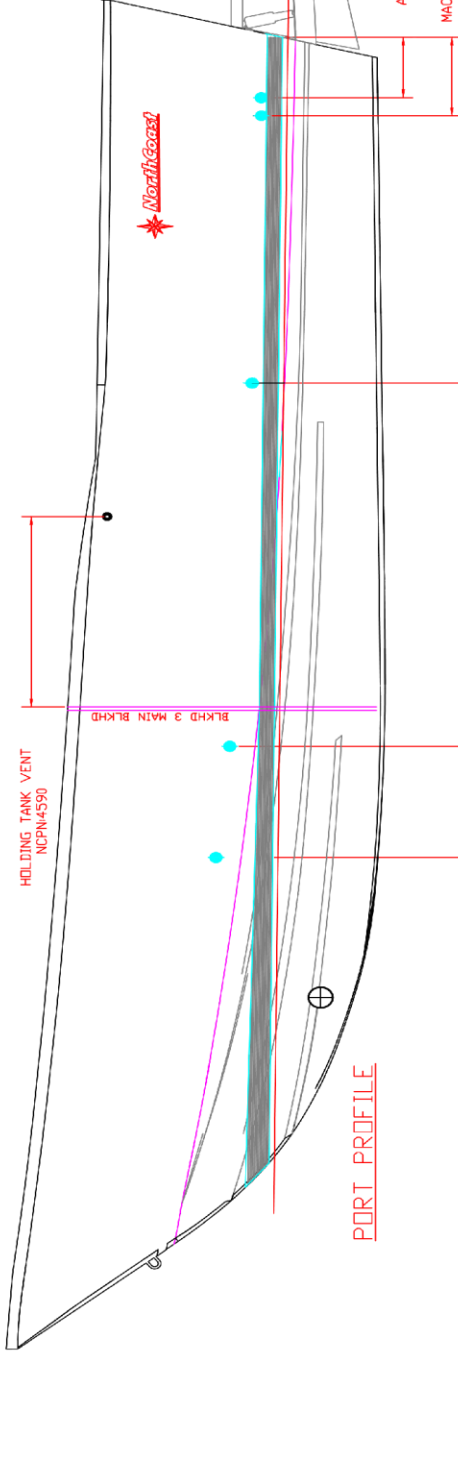
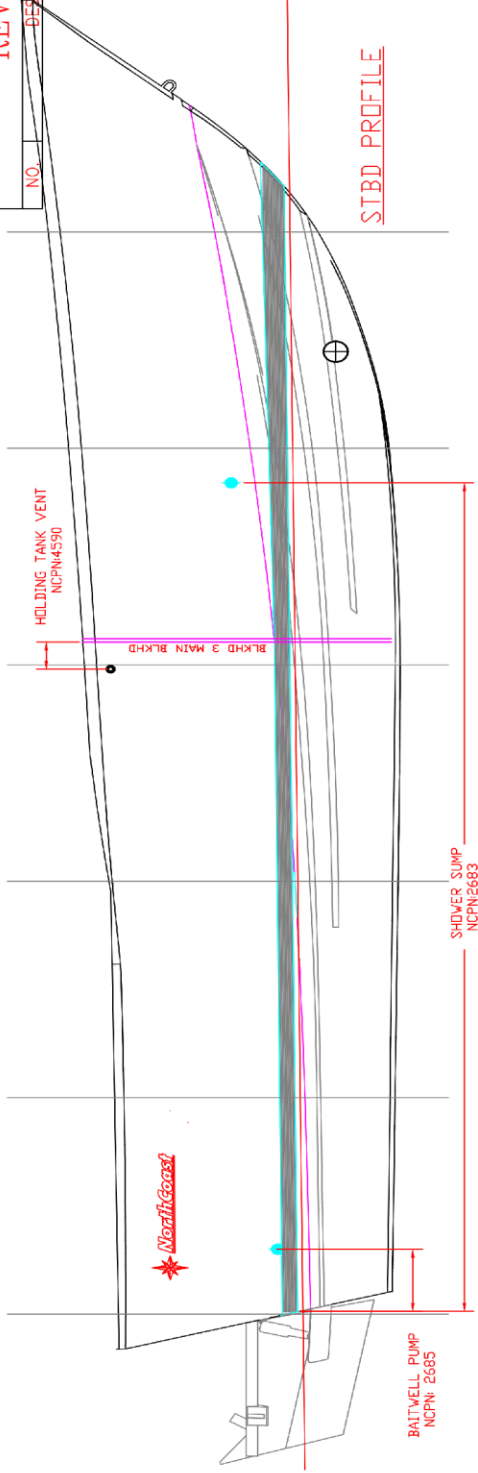
ITEM	NORTH COAST PART #	DESCRIPTION	QTY.
1	2326	WX1502B TEE 15mm WHALE	3
2	F600	HOT WATER HEATER (WHALE)	1
3	HUI830291	WATER FILL 1 1/2"	1
4	PH2	TOILET RARITAN	1
5	2631.9	WATER VENT HOSE 1/2"	1
6	85-1666WH	WATER TANK 20 GALLON TODD	1
7	2322	FW1215 FRESH WATER PUMP	1
8	2328	WX1503B 15MM 90 DEGREE	5
9	WX1504B	COUPLING 15MM	0
10	WX7154B	RED TUBING 15MM HOT WATER	X
11	2621	WX7152B BLUE TUBING 15MM COLD WATER	36
12	WX1522	STEM ELBOW 90 DEG X STEM	3
14	2543	SINK DRAIN 1" W/STOPPER	N/A
15	XX	XX	0
16	WX1593B	STEM X 3/4 BARB	0
17	WX1514B	ADAPTER X BSP MALE	0
18	WX1532B	ADAPTER X BSP FEMALE	3
19	WX1519B	HEATER CONNECTOR 15MM x 1/2"	0
21	WX1521B	15MM STEM TEE	0
22	6591	WX1582B 15MM STEM NON RETURN VALVE	1
23	HUI830291	CITY WATER INLET	0
24	DS0006	COCKPIT SHOWER WHALE H + C	1
25	DS0005	COCKPIT SHOWER WHALE COLD	
26	2631.1	WATER HOSE 1 1/2"	X
27	TBD	1 1/2" PTHA 90 DEGREE 1/2"	1
28	TBD	PTHA 90 DEGREE	1
29	RT2498B	GALLEY SINK FAUCET H + C	0
30	RT1470B	GALLEY SINK FAUCET COLD	1

## NORTHCOAST 255HT HOT WATER

ITEM	NORTH COAST PART#	DESCRIPTION	QTY.
1	2326	WX1502B TEE 15mm WHALE	3
2	F600	HOT WATER HEATER (WHALE)	1
3	HUI830291	WATER FILL 1 1/2"	0
4	PH2	TOILET RARITAN	0
5	2631.9	WATER VENT HOSE 1/2"	0
6	85-1666WH	WATER TANK 20 GALLON TODD	0
7	2322	FW1215 FRESH WATER PUMP	0
8	2328	WX1503B 15MM 90 DEGREE	6
9	WX1504B	COUPLING 15MM	0
10	WX7154B	RED TUBING 15MM HOT WATER	36
11	2621	WX7152B BLUE TUBING 15MM COLD WATER	0
12	WX1522	STEM ELBOW 90 DEG X STEM	0
14	2543	SINK DRAIN 1" W/STOPPER	0
15	RT2498B	FAUCET HEAD	0
16	WX1593B	STEM X 3/4 BARB	0
17	WX1514B	ADAPTER X BSP MALE	0
18	WX1532B	ADAPTER X BSP FEMALE	5
19	WX1519B	HEATER CONNECTOR 15MM x 1/2"	2
21	WX1521B	15MM STEM TEE	0
22	6591	WX1582B 15MM STEM NON RETURN VALVE	0
23	HUI830291	CITY WATER INLET	0
24	DS0006	COCKPIT SHOWER WHALE H + C	1
25	DS0005	COCKPIT SHOWER WHALE COLD	0
26	2631.1	WATER HOSE 1 1/2"	0
27	TBD	1 1/2" PTHA 90 DEGREE 1/2"	0
28	TBD	PTHA 90 DEGREE	0
29	RT2498B	GALLEY SINK FAUCET H + C	1
30	RT1470B	GALLEY SINK FAUCET COLD	0

**REVISIONS**

NO.	DESCRIPTION	DATE



**C & C FIBERGLASS COMPONENTS INC**  
 75 BALLOU BLVD, BOSTON, MA 02108 USA  
 PHONE: (603) 254-0342 FAX: (603) 254-0778

**THRU HULL LOCATION**

DWG. NO: NC255HT205  
 DRAWN BY: RJP  
 SCALE: 1/2" = 1'  
 DATE: 8/2/19

THIS DRAWING IS THE PROPERTY OF C&C. AND IS NOT TO BE REPRODUCED OR COPIED IN ANY MANNER WITHOUT PERMISSION. 0

THRUHULL 1 1/8" 90 deg SS  
NCPN: 2673

HOSE MPI 1 1/8"  
NCPN: 145-1180

RULE 2000 BILGE PUMP  
NCPN:2310

LOOP AS HIGH  
AS POSSIBLE

THRUHULL 1 1/8" 90 deg SS  
NCPN: 2673

LOOP AS HIGH  
AS POSSIBLE

HOSE MPI 1 1/8"  
NCPN: 145-1180

RULE 1100 BILGE PUMP  
NCPN: 2311

C & C FIBERGLASS  
COMPONENTS INC  
700 BALZARD BLVD, BRISTOL, RI 02809 USA  
PHONE: (401) 261-6348 FAX: (401) 261-6076

**BILGE PUMP SYSTEM**

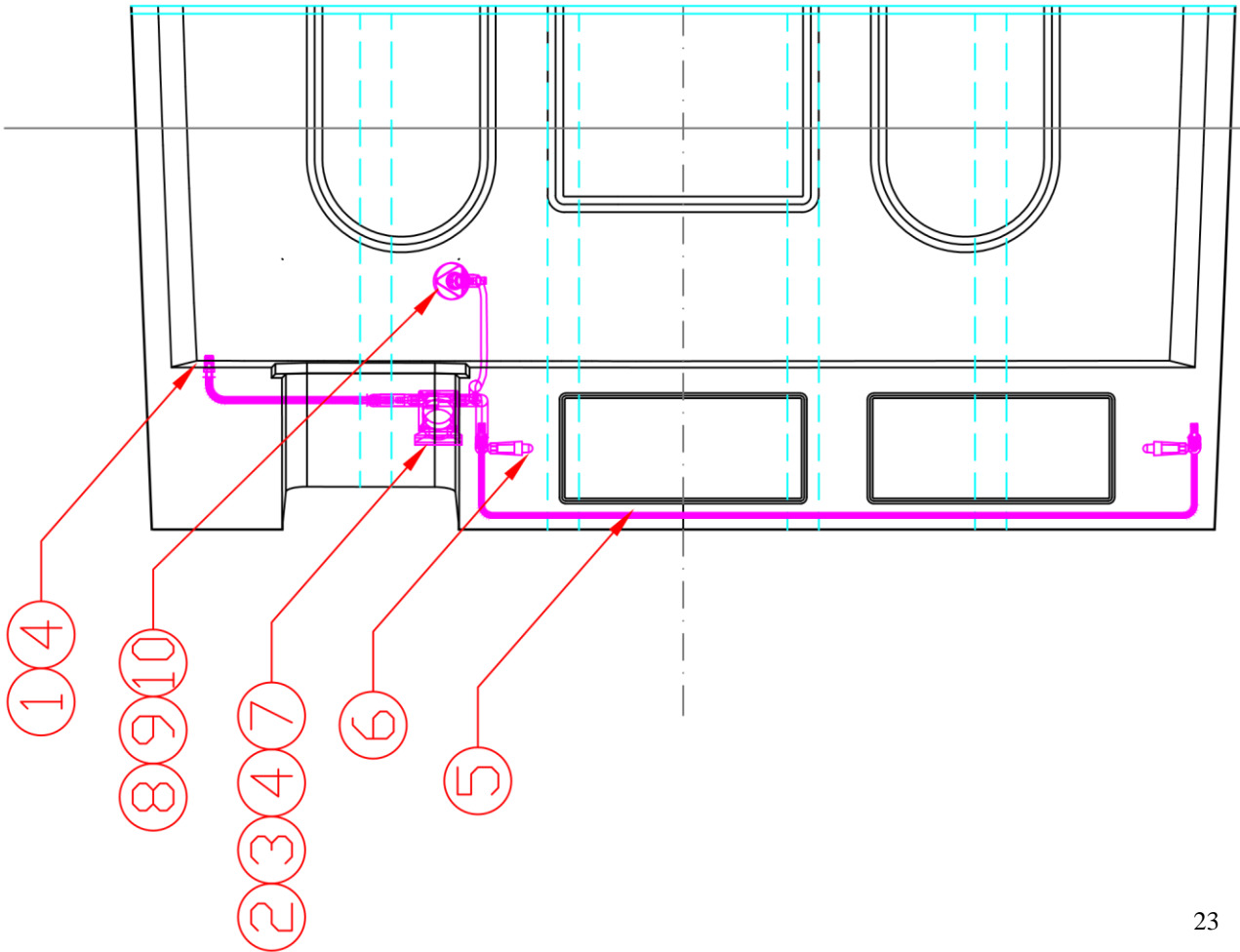
REV. NO: NC225HT903 DATE: 5/22/19  
DRAWN BY: RJP

THIS DOCUMENT IS THE PROPERTY OF C&C&C AND IS NOT TO BE  
USED OR REPRODUCED IN WHOLE OR IN PART WITHOUT WRITTEN PERMISSION. 0

## NorthCoast 255HT Raw Water System

ITEM	NORTH COAST PART#	DESCRIPTION	QTY.
1	2550	SPIGOT	1
2	5372K343	3/4" FPT x 3/4" HOSE ELBOW 90 DEG	3
3	2319	SW WASHDOWN PUMP SURFLOW	1
4	2589	3/4" FPT x 3/4" HOSE STRAIGHT	2
5	2606	TEE 3/4" HOSE	2
6	2612	AERATOR	2
7	2637	TEE 3/4"	1
8	2641	3/4" SEACOCK	1
9	2599	3/4" PTHA 90 DEGREE	1
10	2641	STRAINER INTAKE 3/4"	1

9



C & C FIBERGLASS  
COMPONENTS INC

75 BALLOU BLVD. BRISTOL, RI 02809 USA  
PHONE: (401) 254-4342 FAX: (401) 254-8978

RAW WATER SYSTEM

DWG. NO:  
NC255HT905-OM

SCALE:  
DRAWN BY:  
RJP

DATE:  
5/22/19

REV. NO:  
O  
THIS DOCUMENT IS THE PROPERTY OF C.C.F.C.I. AND IS NOT TO BE  
USED OR REPRODUCED IN WHOLE OR IN PART WITHOUT WRITTEN PERMISSION.

# CONTROLS

## Steering

The boat is fitted with the standard Teleflex helm pump installed. This is a hydraulic steering system consisting of the helm pump and the steering ram when the engine is factory installed. The helm pump is secured to the console and the steering wheel operates the pump directly. The hoses are routed under the floor in a conduit running down the starboard side. Refer to the SeaStar manual for operation, system bleeding and maintenance.

The shift and throttle cables are mechanical in operation and are routed in the same conduit as the steering hoses. These are low friction cables for ease of operation.

## Shift & Throttle

Refer to the manuals for detailed operation and maintenance.

## Trim Tabs

In general, the boat runs perfectly without use of the trim tabs. However, in instances of strong crosswinds or asymmetric loading, you may need to use the trim tabs to level the boat athwart ships. The trim tabs are Lenco electric units and are wired using the Auto-Retract system which returns the tabs to the neutral (up) position when the engine is shut off. It is normal to hear the trim tabs retracting when the engine is shut down. The wiring for the trim tabs is run through the starboard side floor conduit.

Refer to the Lenco manual for further details.

## Instrumentation

For each engine that is factory installed it is supplied with tachometer and fuel gauge.

The engine has a key switch panel and an emergency stop switch panel with an emergency stop lanyard.

The lanyard (kill-switch) is a safety device worn around the wrist designed to cut electricity to an engine. Gasoline-powered engines require an electrical current to run, so when a kill-switch cuts the electricity from the battery the engine will immediately shut down.



# FUEL SYSTEM

## Fuel System Operation

This system has been designed to meet the EPA regulations using certified components to limit the fuel vapor emissions. Your fuel system provides the following benefits:

- Automotive style refueling, automatic nozzle shut-off. This system sends a signal to the pump nozzle to shut off before there is any spit-back or well-back through the fill opening.
- Overfill protection is included with each system, reducing the possibility of accidental fuel spills.
- Reduce hydrocarbon emissions through the use of a specially designed fuel fill. This fuel fill has a permanently attached cap with a positive closure mechanism with an audible click, to let you know when it is sealed.

## Fuel Tank

Your boat is equipped with an aluminum fuel tank with net capacity of 173.8 gallons and 154.23 of usable fuel. The useable capacity of the fuel tank is different from the tank capacity marked on the tank from the manufacturer. The difference is the non-useable portion of the tank which results from the fuel in the tank that is below the pickup tube and the ullage area that has been incorporated into your tank. It is recommended that you follow all instructions regarding the filling of fuel tanks. Take time to read and understand all the fuel related information and warnings regarding gasoline and your boat, in the engine owner's packet. Fuel tanks with levels less than 1/4 full can cause engine stalling problems due to fuel starvation or by allowing sediment and dirt to enter the fuel supply lines. Keep the tank full and monitor the fuel level often to prevent this from happening. Your tank is painted with a Macropoxy by the fuel tank builder this protects the Aluminum from corrosion and creating aluminum oxide. Your fuel tank is also equipped with check valve built into your fill.

## Fuel Vent

The fuel tank vent/p-trap is located on the hull side next to the deck fill. The vent serves as an over pressure/vacuum release. The fuel vent system also plays an important role in controlling the "FULL" level of fuel with the use of the FLVV (Fill Limit Vent Valve). Grade Valves have been added to the tank which allows proper ventilation of the tank when the boat is stored or trailered on a moderate incline, without fuel seepage.

## Filling the Tank

This fuel system is designed to automatically shut off the fuel nozzle when the tank is full, similar to an automotive fuel system. The tank is filled when the fuel fill nozzle has shut itself off the first time. Attempting to fill the tank past this point may cause some of the components to not function properly or malfunction.

**Note:** During the first refueling event, the canister will heat up due to the carbon being activated for the first time.

# CARBON CANISTER SYSTEM DECK FILL

## 99DFCC Series

INSTALLATION INSTRUCTIONS

11/04

69484 Rev. C SAVE THESE INSTRUCTIONS

### CAUTION:

The vessel manufacturer must comply with the requirements of CFR 40 1060.202. Any questions can be directed to [www.attwoodmarine.com](http://www.attwoodmarine.com)

Failure to follow these instructions may result in accidental fuel system over-pressurization. Users must follow these instructions to ensure vessel function and operation

### EMISSION-RELATED INSTALLATION INSTRUCTIONS

Failing to follow these instructions when installing the Attwood Carbon Canister System Deck Fills in a piece of nonroad equipment violates federal law (40 CFR 1068.105(b)), subject to fines or other penalties as described in the Clean Air Act.

### FEATURES:

Attwood Carbon Canister System Deck Fills are sturdy, non-corrosive plastic. Bonding and grounding are not required because they are non-metallic. When latched, Deck Fills are water-resistant. They meet all requirements for ISO 10080, ABYC, and USCG. The 99DFCC Series Deck Fills are not certified for diurnal emission control. The use of a certified Carbon Canister for proper diurnal emission control is required to meet EPA diurnal emission control requirements. The Attwood 99DFCC Series Deck Fills are equipped with dual over pressure relief valves. These valves are intended only to prevent the accidental over pressurization of a fuel system and are safety devices only not for use as diurnal emission control devices.

### Important safety instructions

#### (for all Attwood 99FL/99GV/99CC/99ICV/99DF components):

When a fuel system is configured with Attwood 99DFCC Series Deck Fills, the following safety precautions must be taken;

1. Use an Attwood 99ICV series Inlet Control valve between the liquid reservoir and the deck fill to prevent the accidental well back of fuel. Use only an Attwood 99ICV series Inlet Control Valve in-line with the fuel fill hose. No other fill hose valves should be installed in order to ensure the safety of the fuel system and vessel. The Attwood 99ICV series inlet control valves include features to allow vapor and liquid to pass the valve in order to ensure the system does not become accidentally over pressurized.

### CARE AND MAINTENANCE

Care should be taken, when cleaning the boat, to prevent contaminating the valves and deck fill. Cleaning with only mild soapy water is recommended. All connections should be checked annually.

### MANUFACTURER REQUIREMENTS

The information below applies only to EPA CFR 40 1060.135. The vessel manufacturer is responsible to meet all additional regulatory labeling requirements including EPA, CARB, USCG and others as necessary. The below information is for reference only. The vessel manufacturer should refer to CFR 40 for complete labeling guidelines. In order to meet the requirements of CFR 40 1060.135, the vessel must be labeled

with respect to evaporative emissions in the following manner when installing certified components;

Excerpt from CFR 40 1060.135

(a) You must affix a permanent and legible label identifying each engine or piece of equipment before introducing it into U.S. commerce. The label must be—

- (1) Attached in one piece so it is not removable without being destroyed or defaced.
- (2) Secured to a part of the engine or equipment needed for normal operation and not normally requiring replacement.
- (3) Durable and readable for the equipment's entire life.
- (4) Written in English.
- (5) Readily visible in the final installation. It may be under a hinged door or other readily opened cover. It may not be hidden by any cover attached with screws or any similar designs. Labels on marine vessels must be visible from the helm.

(c) If you produce equipment without certifying with respect to evaporative emissions, the equipment label specified in paragraph (a) of this section must—

- (1) State: "MEETS U.S. EPA EVAP STANDARDS USING CERTIFIED COMPONENTS." (2) Include your corporate name.

Below is an example of a label specified by CFR40 1060.135 for use with certified components;

**MEETS U.S. EPA EVAP STANDARDS USING  
CERTIFIED COMPONENTS**

**CORPORATE NAME**

Please refer to CFR 40 1060.135 to review EPA vessel labeling requirements.

The NMMA has a program to supply OEM builders with labels. Please refer to the NMMA website below for further information regarding the NMMA label program;  
[www.nmma.org/certification/products/labelsanddecals.aspx](http://www.nmma.org/certification/products/labelsanddecals.aspx)

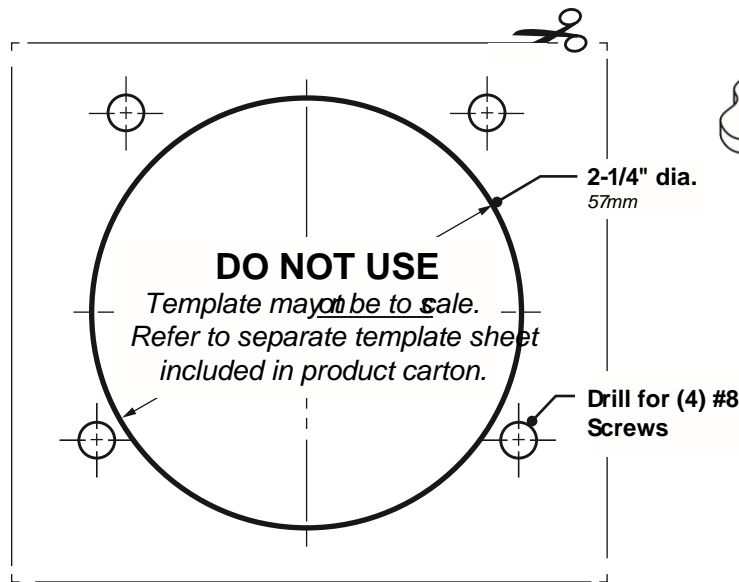
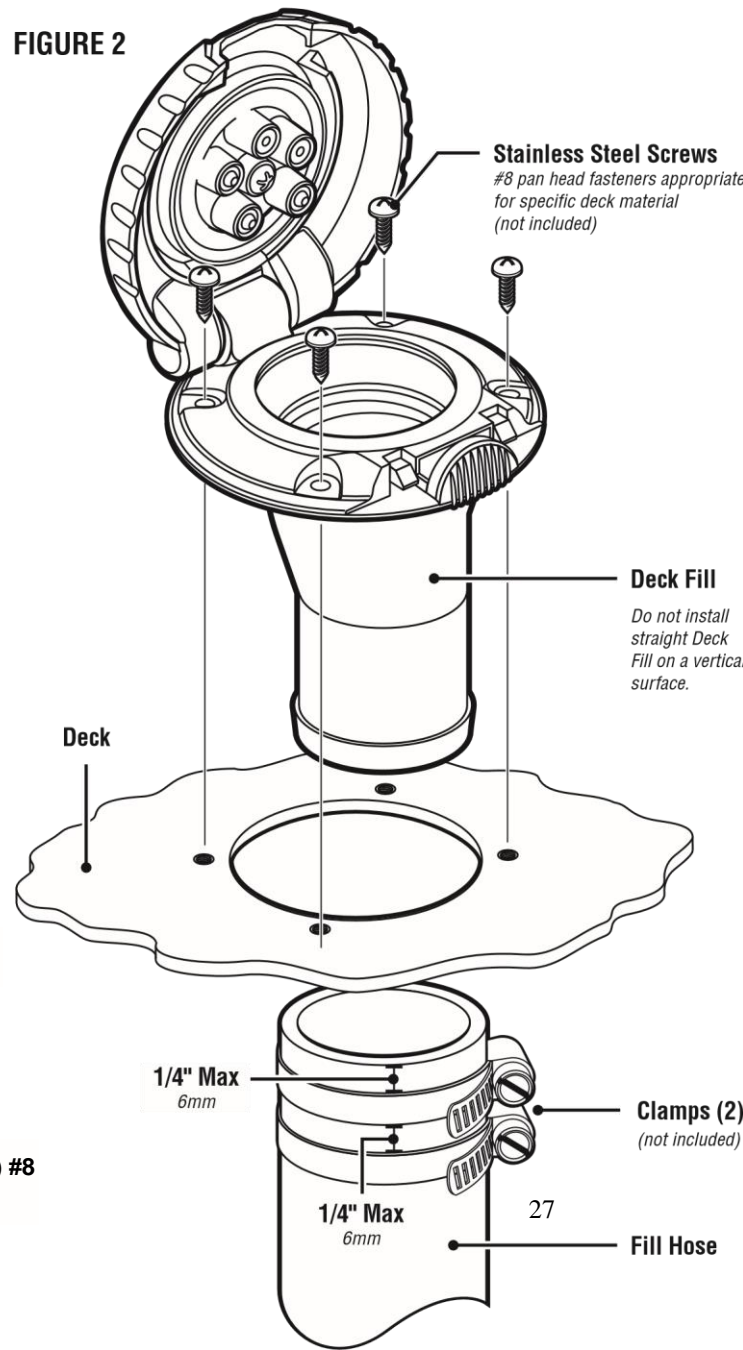
### TWO-YEAR WARRANTY & LIABILITY

**Generally:** Attwood Carbon Canister System Deck Fills are covered by a two (2) year limited warranty from the date of a Vessel's first retail sale.

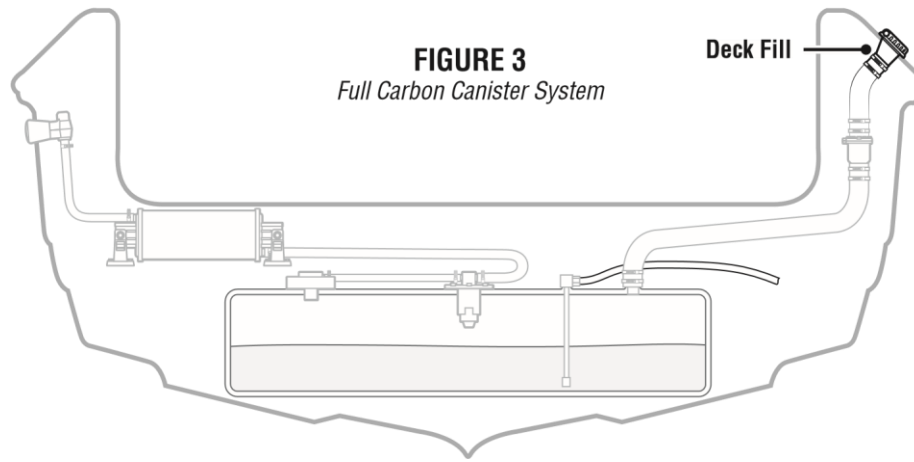
**Pre-requisites to Warranty Eligibility:** For the warranty coverage described herein to apply, the following conditions must be met:

- Component must have been properly installed per Attwood installation instructions; and
  - The component cannot have been altered or abused by Boat Company or its customers.
- Warranty Terms for Components:**

FIGURE 2



Attwood warrants that any Attwood Carbon Canister System Deck Fills are free from defects in materials and workmanship and are designed, built, and equipped to conform at the time of sale to Boat Company with the 40CFR.1060 requirements. For two (2) years from the date of the vessel's first retail sale, Attwood will, at its sole option, repair or replace any components that fail due to a defect in material or workmanship.



ATTWOOD PROVIDES NO WARRANTIES WITH RESPECT TO ANY PART OR COMPONENT NOT MANUFACTURED BY ATTWOOD, INCLUDING FUEL TANKS. Boat Company is responsible for the installation of all Systems, whether installed by Boat Company or under its direction.

**A.B.Y.C.**

American Boat & Yacht Council  
(NMMA) Edgewater, Maryland 21037  
www.abycinc.org

**E.P.A.**

401 "M" Street, SW  
www.epa.gov

**National Marine**

**Manufacturers Association** 3069 Solomon's Island Road Washington, DC 20593 www.  
231 S. LaSalle Street  
Suite 2050  
Chicago, IL 60604  
www.NMMA.org

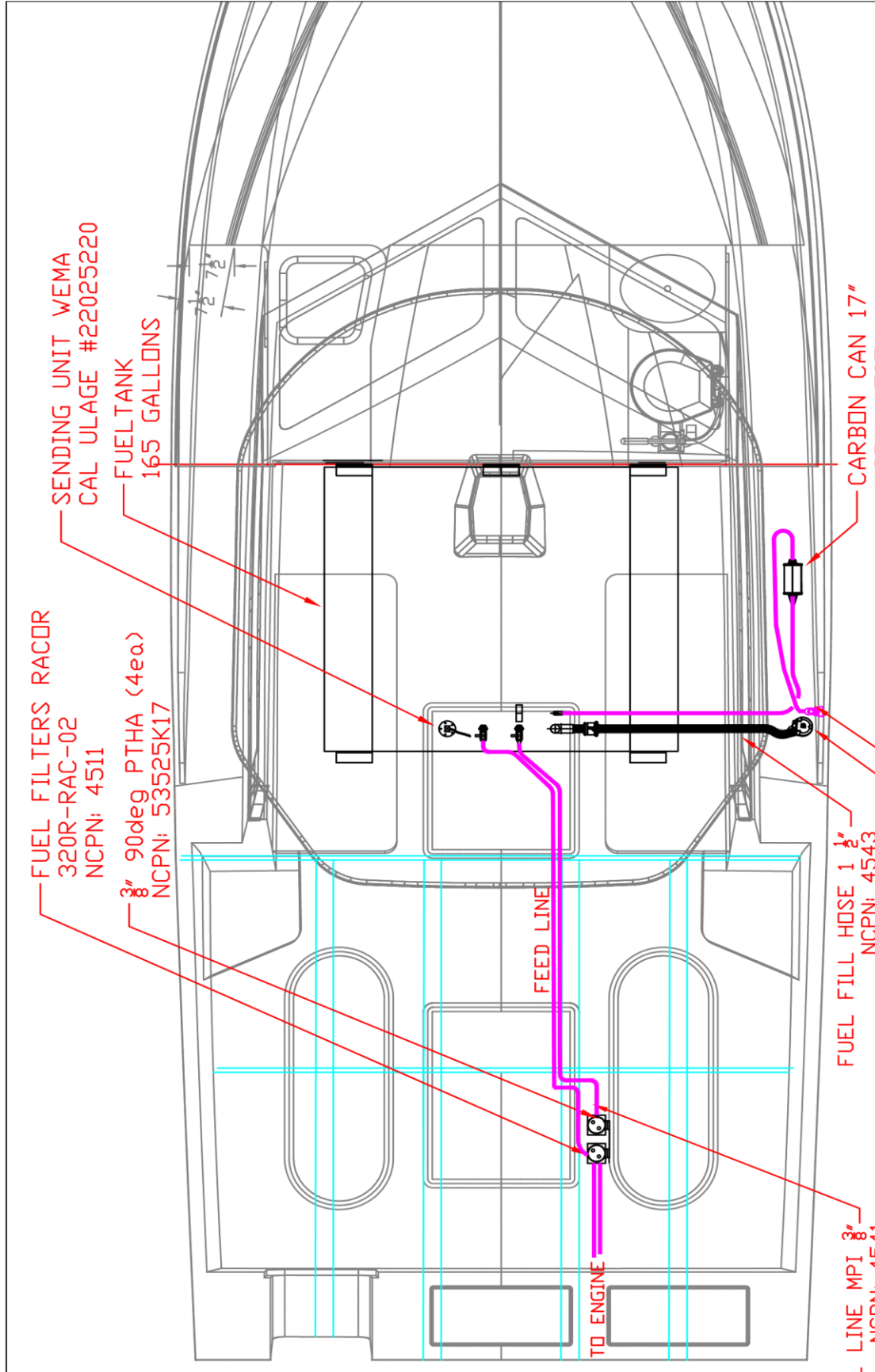
**U.S. Coast Guard**

Washington, DC 20460 iso.org www.uscgboating.org

**ISO**

**011 Attwood Corporation**

1016 North Monroe Lowell, MI 49331 www.attwoodmarine.com



FUEL FILTERS RACOR  
320R-RAC-02  
NCPN: 4511

3" 90deg PTHA (4ea)  
NCPN: 53525K17

SENDING UNIT WEMA  
CAL ULAG #22025220

FUEL TANK  
165 GALLONS

FEED LINE

TO ENGINE

FUEL LINE MPI 3/8"  
NCPN: 4541

FUEL FILL HOSE 1 1/2"  
NCPN: 4543

STARBOARD SIDE FUEL FILL  
NCPN: 4500

FUEL VENT (LOCATED @ SHEERLINE)  
NCPN: 4590

CARBON CAN 17"  
NCPN: 4507

C & C FIBERGLASS  
COMPONENTS INC  
75 BALLJOU BLVD, BRISTOL, RI 02809 USA  
PHONE: (401) 264-4342 FAX: (401) 264-8978

FUEL SYSTEM

DMC NO:	NC255HT908-0M
DRAWN BY:	RJP
SCALE:	
DATE:	5/22/19
REV. NO:	0

# VESSEL OPERATION

## Weight

Always operate the vessel in a safe manner. The performance of the boat is affected by the amount of weight carried. Weight is comprised of many things including; fuel, people, gear, bait, fish and so forth. The greater the payload (variable weight) the slower the boat will go for a given RPM.

The operator should keep in mind the distribution of weight both fore and aft and athwart ships. In general, the following guidelines should be followed:

- Keep weight distributed evenly fore and aft to maintain vessel trim.
- Keep weight distributed evenly athwart ships to maintain vessel trim.
- Keep weight as low as possible.

When operating in heavy sea states and other adverse conditions, it is usually prudent to go slower as opposed to faster. The passengers will be more comfortable and there will be less chance of injury, sickness, etc.

## Fueling

Due to the explosive nature of gasoline, certain precautions should be taken:

### Before Fueling

- Properly secure the boat to the dock.
- Turn off engine and any other motors.
- Disembark all passengers.

### NO SMOKING DURING FUELING

- Keep nozzle in contact with fill plate.
- Do not leave unattended.
- Do not spill fuel (use absorbent rag outboard of fill plate).

### Do not overfill.

**Fuel changes volume based on temperature after fueling.**

- Secure deck plate.
- Clean any spilled fuel and dispose of rags properly on shore.

## **VESSEL OPERATION (continued)**

### **Trim**

There are many factors that influence the proper trim of your vessel. These include wind and wave forces, loading, heading, and so forth. Proper trim applies to both the fore and aft and the athwart ships angle of the boat when running at a given RPM.

The boat should really be operated with a running angle of 1-2 degrees fore and aft and zero angle athwart ships. You have two main tools at your disposal to alter trim for given conditions and loadings. These are the engine and the trim tabs. While there exists an infinite number of setting combinations, a few guidelines are helpful as follows:

#### **Engine Trim Down**

- Lowers the bow in the water.
- Best position for starting and acceleration.

#### **Engine Trim Up**

- Raises bow from the water.
- Best position for fuel economy.

Generally, you should operate somewhere in the middle, for best all-around performance. When running in heavy following seas, special care must be taken with respect to trim and boat speed.

### **Trim Tabs**

The NorthCoast 255 Hard Top is designed to run at the proper fore and aft angle by virtue of the bottom shape. The trim tabs are very effective in modifying the trim angle. Some helpful hints for using the trim tabs are:

- Use the bow up/bow down individually to modify athwart ships trim particularly useful when wind, sea or loading conditions are causing the boat to list.
- Use the bow up/bow down controls to change the running angle. This comes in handy when running in larger following seas.

## VESSEL OPERATION (continued)

### Starting

Refer to the included engine manual for detailed operation of the engine. A few top-level procedures should be observed as follows:

#### Before Starting

- Make sure the engine is lowered.
- Make sure there is sufficient clearance to the bottom.
- **Ensure that the propeller is free of debris and clear of obstructions and swimmers.**

#### Starting

- For a cold engine, move the throttle into the choke position. Advance throttle a few times to help prime the engine. Then leave the throttle approximately  $\frac{1}{4}$  advanced.
- Push and turn the key.
- After engine is started, return the throttle to the neutral position.

For a hot engine, the steps are similar, although the throttle should not need to be advanced in the choke position. Leave the throttle in the neutral position and perform the starting steps.

#### After Starting

- Verify proper oil pressure in engine.
- Verify the proper charging level of engine.
- Visually inspect for cooling water circulation.

**YOU MUST OBSERVE THE PROPER ENGINE BREAK-IN PROCEDURE AS DETAILED IN THE ENGINE OPERATORS MANUAL.**



## MAINTENANCE

The materials and workmanship of your NorthCoast 255 Hard Top will insure many years of operation and enjoyment. However, there are numerous steps you can take to keep your boat in top condition. Failure to take certain of these steps may result in shortened life span of certain equipment and may in certain cases, void the warranty.

Much of the equipment installed on your boat is separately warranted. Please refer to the individual OEM manuals for care and maintenance instructions, along with proper registration.

The easiest and perhaps most important regular maintenance step is to simply wash down the boat after each use with fresh water. This is of primary importance when operating in saltwater, but applies to freshwater use as well. Make sure to wash down the engine cowlings, canvas and cushions, rails, hull and deck.

### Gelcoat

Regular cleaning and waxing will help preserve the finish on your boat for many years. The frequency at which this is needed will depend on your seasonal usage, area of operation and color.

- Use a mild detergent wash with fresh water.
- Rinse away all detergent residue.
- Do not use harsh or abrasive cleaners or other compound containing chlorine or ammonia.

**Do not use acetone or other ketene-based solvents. Use denatured alcohol or kerosene and rinse the area being treated immediately. Wax the gelcoat surfaces with a high-grade wax, making sure to buff out all areas where wax has been applied.**

## MAINTENANCE (continued)

Inevitably you will get scratches on the gelcoat surfaces.

- Water sand minor scratches with #600 paper, then buff with polishing compound or equivalent.

Scratches that penetrate to the fiberglass substrate should be dealt with immediately. This is particularly important on scratches below the waterline. Your dealer or other industry professional best handles these repairs.

Whether operating in fresh or saltwater, marine growth is a problem. It will degrade performance, fuel economy and in severe instances can damage the gelcoat surface.

- Use a high-grade anti-fouling bottom paint that conforms to the regulations for operation in your boating area.
- Regular running of the boat at high speed when appropriate will rid the bottom of light growth.
- Regular washing of the bottom surfaces is recommended.

### Other Exterior Components

#### Windows and Hatches

The clear surfaces of these components require the most attention. Clean metal frames per the instructions below for stainless steel and aluminum.

Rinse all acrylic surfaces with clean fresh water. **DO NOT** rub the surface in any way. Clean acrylic surfaces with mild detergent regularly (after rinsing).

Rinse again and pat dry with a clean chamois or cotton towel.

Grease and adhesives may be removed with kerosene, hexane or white gas. **DO NOT** use any other solvents or removal agents.

## **MAINTENANCE (continued)**

### **Stainless Steel and Aluminum**

All metals used on your NorthCoast are selected for their resistance to corrosion. However, none are corrosion proof.

What appears to be “bare aluminum” is actually anodized. When welded, the anodizing breaks down due to heat. Make sure to keep the weld joints waxed for best protection. See below for other general care instructions.

Certain structures may be “white aluminum”. This is actually a powder-coated surface. This provides optimal protection for weld joints and lends a clean appearance to the metal. Follow the general care instructions below.

Stainless Steel structures are highly corrosion resistant without the anodizing or powder-coating as in aluminum. However, welded areas are again more susceptible to corrosion. Keep these clean and waxed as with aluminum.

- Clean all metal components frequently with fresh water.
- Protect all surfaces with wax.
- Remove rust spots promptly with metal cleaner.
- Do not use coarse abrasives such as steel wool, soap pads, etc...
- Do not clean with acids or bleaches.
- Maintain powder-coated surfaces in a similar fashion to gelcoat surfaces.

### **Canvas**

Clean with soft bristle brush and fresh water. Do not use detergent soap. Use a neutral soap when needed. Remove bird droppings and other stains promptly before they set in and degrade the performance of the material.

### **Vinyl**

Wipe down regularly with mild soap and fresh water. Do not use any special cleaners or solvents.

## **MAINTENANCE (continued)**

### **Corrosion**

When operating in saltwater for extended periods, check the transom mounted grounding anode for significant degradation. Replace at 50% level. Check the sacrificial anodes in the engine. Check all metal thru-hull fittings when hauled out. Ensure that the engine is tilted full up when the boat is left moored or docked.

Significant/frequent signs of pitting or other metal degradation may be indicative of a corrosion problem either with your vessel directly or due to other stray currents present in the marina or the marina electrical system.

### **Winterization, Storage and Commissioning**

Proper storage of your boat is equally important as in season maintenance. Some recommended steps are provided to assist in this. Your local situation may require further measures.

#### **Winterization and Storage**

- Orient the hull so any water from rain, snow and condensation drains aft.
- Remove the garboard drain plug.
- Drain all water from water systems, including the water tank, hoses and fittings.
- Make sure the fuel tank is full. You may want to add a stabilizer to prevent algae growth.
- Ensure that bilge pump system is drained.
- Treat all uncoated metal parts with rust inhibitor.
- Winterize the toilet system per manufacturer's instructions.
- Empty holding tank.
- Remove batteries and store in warm, dry environment. Do not store on concrete floor.
- Winterize engine(s) per manufacturer instructions.
- Cover with shrink wrap or store in covered area.
- Ensure that the boat is properly blocked. If stored on a trailer, block this up to un-weight tires.

## CONSTRUCTION DETAILS

- **HULL AND DECK MATERIALS**

- **TECHNOLOGY**

- NorthCoast uses some of the most advanced technology in the marine industry in the design and construction of all NorthCoast. Only top quality, top performance materials which have been thoroughly tested are used.

- **GELCOAT**

- To protect the laminate from the environment, all NorthCoast utilize Isophthalic (ISO) gelcoat. ISO gelcoats yield a denser, more frequently branched molecular network which inhibits migration of water molecules. Because of their structure, these gelcoats offer superior resistance to moisture penetration, blistering and fading. They are formulated to yield slightly more flexibility than most gelcoats which helps to resist cracking. Tests also indicate that ISO gelcoats produce the highest, most durable gloss finish, and retain it despite severe environmental exposure.

- **GLASS FIBERS**

- High performance glass fabrics are used throughout the sandwich-type laminate. They offer superior strength and stiffness when compared to conventional cloth and woven roving materials used by many other builders. In high stress areas, bi-axial fabrics, which can be oriented to yield maximum strength and stiffness, are used. These fibers require less resin and therefore, produce stronger, light weight structures.

- **VINYL ESTER RESIN**

- A special vinyl ester resin is used as a barrier behind the gelcoat to further resist moisture penetration. By excluding moisture, blistering cannot occur. The vinyl ester resin is also resilient like the gelcoat to increase crack resistance. The vinyl ester resins, in combination with ISO gelcoats and carefully selected fibers, produce the most blister resistant hulls available today.

- **POLYESTER RESIN**

- A high quality polyester resin is used to complete the rest of the laminate. Selected for its compatibility with the high-performance fabrics used, this resin provides a high-strength, durable laminate, resistant to cracking and fatigue. Again, the correct balance of properties between each component is designed to assure that the high strength and stiffness will be retained throughout the life of your vessel.

- **HULL AND DECK CONSTRUCTION**

- **SANDWICH DESIGN**

- Sandwich construction is used in all NorthCoast decks to produce stronger, lighter, faster performance cruising boats. A fiberglass sandwich functions similarly to an "I" beam. "I" beams are used for construction because they make the most efficient use of materials based on structural criteria and reduce overall weight. The inner and outer skins of the sandwich function in the same ways as the top and bottom flanges of the "I" beam, and the core functions similarly to the web of the "I" beam. This means lighter decks can be produced which are actually stiffer and stronger.

- **SOLID HULL BOTTOMS**

- Peace of mind comes with not using core in our hull bottom construction. While other competitors core their bottoms, they are exposing themselves to long-term problems, with any significant impact through the thin external laminate this will allow water to penetrate and saturate the core and will act as a splitting wedge in cold climates where freezing is a major concern. At NorthCoast our hull bottoms are SOLID laminates and you will never have the issues that you would experience with cored bottoms and that in itself is peace of mind.

- **CORE MATERIAL**  
Many different cores are available for use in sandwich construction because it has superior physical properties over all other cores and is resistance to water penetration and savings in weight.
- **QUALITY CONTROL**  
Great care is taken in controlling the quality during the production of laminated parts. The following steps are necessary to guarantee that the physical properties used in the design is the same as those which are built into the part.
- **GELCOAT TESTING**  
Gelcoat application is carefully controlled to ensure the proper coating thickness and performance. This is important when considering blister resistance. Proper catalyzation, thickness and low porosity are key in producing a finish that will best resist the osmotic passage of moisture. Control of catalyzation is also very important for weatherability.
- **HULL AND DECK ASSEMBLY**
  - **TABBING**  
Major structural framing and bulkheads are glassed to the hull and deck using double bias glass fabric. This provides for an integral bond between the hull, deck and frames.
  - **HULL AND DECK FLANGES**  
Laminate thicknesses are increased in the hull and deck flanges to distribute the high local stresses that are produced in these areas. Fasteners and adhesives are used to insure a strong, watertight joint between these flanges.
  - **HULL/DECK JOINT**  
Before fastening, 3M-4000 high-strength urethane adhesive sealant is applied to the flanges to totally seal the joint. This combination of fastening every six inches and bonding creates an unusually strong watertight hull to deck joint.
  - **HARDWARE REINFORCING**  
All internal and external hardware connections are engineered individually for long lasting integrity. Additional laminate reinforcing and backing plates are used as required to ensure reliable fastening for all deck hardware.
  - **THRU-HULL FITTINGS**  
Thru-hull fittings are constructed of the highest quality glass reinforced nylon available for above the waterline application and solid bronze for below. 3M-4000 sealant is used to create a watertight seal between the hull and the thru-hull fitting. The hull laminate core is sealed around the fitting to prevent water from entering the core.

## COMMISSIONING CHECKLIST

Page 1 of 2

### Preliminary

1.  Check hull carefully for damage in transit
2.  Check propeller, nuts, cotter pin, and zincs
3.  Check loose gear on boat

### Pre-Launch

1.  Read Owner's Handbook and OEM manuals
2.  Cover cushions or remove them from boat in order to protect them during commissioning
3.  Install transducers
4.  Check battery charge with battery test switch on the electrical panel
5.  Close seacocks
6.  Check all hose clamps & tighten as required
7.  Check engine oil, transmission & coolant level
8.  Install portlight screens
9.  Locate: Ignition Keys, Bilge Pump
10.  Touch up bottom paint
11.  Acquire: Dock Lines, Fenders
12.  Stow remaining loose gear.

### Launch

1.  Reinstall garboard drain
2.  Check for leaks
3.  Check operation of seacocks
4.  De-winterize engine and head
5.  Check expiry dates on flare kits, fire extinguishers and other like equipment

### Systems Check

1.  Fill water tanks--flush tank twice to eliminate non-toxic antifreeze
2.  Check water pressure system
3.  Fill fuel tanks

**COMMISSIONING CHECKLIST**

Engine Start

1.  Run engine under load
2.  Check operation of all pumps--electrical & manual
3.  Check operation of head--no leak.
4.  Check optional Y valve for correct discharge
5.  Check all AC/DC options for correct operation
6.  Acquire and secure ground tackle
7.  Read engine owner's manual
8.  Check alignment and hook up couplings
9.  Ignition
10.  Start engine
11.  Check oil pressure, water temperature, charging gauges--Check engine manual for proper operation
12.  Check fuel filter for bubbles--Check fuel lines for leaks
13.  Check transmission for operation

Trial Run

1.  Monitor engine performance
2.  Check bilge for leaks
3.  Check and/or calibrate all instruments as needed

Clean Up

1.  Clean bilge
2.  Vacuum boat throughout
3.  Wash down deck & hull

Work Performed by: \_\_\_\_\_ Checked by: \_\_\_\_\_ Date: \_\_\_\_\_

Return a signed copy of this commissioning check list to NorthCoast Customer Service Department.



## **STANDARD EQUIPMENT 255**

- 12 YEAR STRUCTURAL HULL WARRANTY
- "NO WOOD" CONSTRUCTION
- WHITE HULL W/ BOOT STRIPE
- CORED DECK AND MOLDED HULL LINER W/ TWO TONE MOLDED NON-SKID (CHOICE OF GRAY OR TAN)
- FOAM FILLED COMPOSITE GRID STRINGER SYSTEM
- HIGH DENSITY FOAM CORED TRANSOM
- ARMSTRONG DUAL ENGINE BRACKET
- HIGH IMPACT RUB RAIL W/ INSERT

## **DECK**

- BOW RAIL 1" STAINLESS STEEL
- RUNNING LIGHTS
- MOLDED BOW SPRIT W/ ANCHOR ROLLER, CHAIN LOCK & HAWSE PIPE
- STAINLESS STEEL BOW CHOCKS
- STAINLESS STEEL ½" BOW & STERN EYES (3)
- STAINLESS STEEL 10" BOW & STERN CLEATS (3)
- STAINLESS STEEL 8" POP-UP SPRING LINE CLEATS (2)
- STAINLESS STEEL FUEL FILL DECK PLATE
- COURTESY LIGHTS
- WATER FILL

## **PILOTHOUSE**

- CUSTOM FIBERGLASS WINDSHIELD FRAME
- OPENING WINDSHIELDS & SLIDING SIDE WINDOWS W/ SCREENS
- WIPERS W/MULTIFUNCTION SWITCH P&S
- EDSON SS STEERING WHEEL
- HORN
- TODD HELM AND COMPANION SEATS P&S
- INSULATED 113 QUART COOLER UNDER CUSHION AFT OF COMPANION SEAT
- (2) TACKLE BOXES P&S W/ TOOL DRAWERS

- (2) FOLDING CUP HOLDERS
- LED NAVIGATION LIGHTS, COURTESY LIGHTS & DOME LIGHTS
- RITCHIE COMPASS @ HELM
- DC PANELS AT HELM
- LENCO TRIM TABS W/ LED POSITION INDICATORS
- SEAT CUSHIONS P&S- AFT OF SEATS
- PHONE, WALLET, KEY BINS OUTBOARD OF HELM SEATS, P&S CUSTOM AFT CANVAS ENCLOSURE W/ROLL UP DOOR

### **CABIN**

- 75" BERTH LENGTH WITH 40" SITTING HEADROOM & CUSHIONS
- STORAGE LOCKERS AND PULL OUT DRAWER TO PORT (OPTIONAL GALLEY PACKAGE AVAILABLE)
- LOCKING COMPANIONWAY DOOR
- OPENING PORTS W/ SCREENS (2)
- FORWARD HATCH W/ SCREEN BOMAR 19X19
- LED CABIN DOME LIGHTS (DAY/ RED NIGHT)

### **PRIVATE HEAD**

- MARINE HEAD MACERATED OVERBOARD DISCHARGE AND HOLDING TANK
- VANITY SINK, W/ PULL OUT SHOWER SLIDING DOOR STORAGE/SHELVES
- LED CABIN DOME LIGHTS (DAY/RED NIGHT)
- COURTESY LIGHT

### **COCKPIT**

- LED COCKPIT FLOODLIGHT
- COURTESY LIGHTS P&S
- WALK THROUGH TRANSOM DOOR PORTSIDE

- 26 GAL. TRANSOM BLUE LIVE WELL W/ LIGHT & CLEAR LID
- TRANSOM COMPARTMENT WITH KNIFE HOLDER/CUTTING BOARD
- (4) CUSTOM STAINLESS ROD HOLDERS
- (2) CUP HOLDERS
- (2) 139 QUART MACERATED FISH BOXES IN DECK
- UNDER GUNNEL ROD HOLDER STORAGE P&S (6)
- COCKPIT BOLSTER PACKAGE W/ NORTHCOAST LOGO
- SALTWATER WASHDOWN
- CENTER ACCESS COCKPIT HATCHES W/ GAS ASSISTED STRUTS
- FULL COCKPIT PERIMETER GUTTER SYSTEM W/OVERSIZED SCUPPERS
- ARMSTRONG SWIM LADDER

#### **MECHANICAL**

- (3) AGM BATTERY SYSTEM
- PRESSURE COLD WATER SYSTEM
- AUTOMATIC RULE BILGE PUMP FWD 1100GPH
- AUTOMATIC RULE BILGE PUMP AFT 2000GPH

## ADDITIONAL FACTORY OPTIONS

- Hull color
- Rocket launchers on hard top
- Rocket launchers on transom
- Outriggers Rupp Top Gun
- Additional rod holders (Pair)
- Electric head system
- Shore power package includes:
  - AC/DC panel at helm w/ USB & DC plugs
  - 110V GFI outlets at galley & head
  - 110V outlets in cabin & at helm shore power chord
- Inverter
- Battery Charger
- Air conditioning\* Dometic
- Generator (Gas)
- Galley package:
  - Stainless steel AC/DC fridge, sink, microwave
- Anchor windlass w/ foot controls
- Upgrade Helm and Comp Seats
- Folding cockpit seat
- Gray rub rail
- Wet Sounds stereo and speakers
- Outboard HP: T200 | T250

- \*Requires Shore Power option

## Specifications & General Information

Dealer: \_\_\_\_\_

\_\_\_\_\_

Vessel Registration Number: \_\_\_\_\_

HIN: \_\_\_\_\_

Hull Color: \_\_\_\_\_

Boot Top Color: \_\_\_\_\_

Deck Color: \_\_\_\_\_

Non-Skid Color: \_\_\_\_\_

Warranty Registration Date: \_\_\_\_\_

Radio Call Numbers: \_\_\_\_\_

Engine One S/N: \_\_\_\_\_

Propeller Size: \_\_\_\_\_ D x \_\_\_\_\_ P x \_\_\_\_\_ Blds

Trailer Make: \_\_\_\_\_

Trailer S/N: \_\_\_\_\_

Insurance Company: \_\_\_\_\_

Policy #: \_\_\_\_\_

Insurance Agency: \_\_\_\_\_

Phone: \_\_\_\_\_

# NORTHCOAST BOATS WARRANTY POLICY

C & C Marine Inc.

*Manufacturer of NorthCoast Boats™*

75 Ballou Blvd. Bristol, RI, 02809

Tel: 401-254-4342 Fax: 401-254-8978

## NORTHCOAST BOATS™ LIMITED WARRANTY- RECREATIONAL BOATS

1. The "Federal Boat Safety Act of 1971" requires all boat manufacturers to maintain a record of all first retail purchasers and their current addresses for the purpose of notification in case of defective parts or equipment or in case of noncompliance with standards or regulations set forth by this act. Under the act, the failure to complete and return your factory warranty card for our records will waive your right to notifications of defect and/ or repair at manufacturer's expense.

**2. Hull Warranty:** C & C Marine, Inc. (Manufacturer of NorthCoast Boats™) warrants to the first purchaser and any subsequent owner that the hull and stringers will be free from structural defects in materials and workmanship for a period of TWELVE (12) YEARS from date of purchase from dealer or manufacturer subject to the conditions set forth below.

**3. One-year components warranty:** C & C Marine, Inc. warrants to the purchaser or owner that for one year (1) after the date of purchase, all boat components manufactured by C & C Marine, Inc. shall be free from defects due to material or workmanship under normal noncommercial use.

#### **4. Exclusions:**

**A.)** This warranty will apply only to boats used in normal recreational boating activities. Boats used in any governmental, commercial or revenue producing activity of any kind, including but not limited to charter or rental fleets, are excluded from coverage under this warranty.

**B.)** Parts or accessories that were dealer or owner installed items are the responsibility of the dealer or owner.

**C.)** This warranty does not apply to cosmetic defects, including but not limited to, gelcoat cracking, chalking, crazing, discoloration, yellowing, blistering, nor graphics or coloration problems.

**D.)** Fiberglass blistering attributable to water penetration of the fiberglass (osmosis) is specifically excluded from this warranty coverage.

**E.)** This warranty does not apply to problems caused by improper maintenance, abuse, vandalism, lack of maintenance, improper storage, improper hauling or transport, normal wear and tear, misuse, neglect, accident, corrosion, electrolysis, improper operation or Acts of God.

**F.)** Windshield breakage and/ or leakage is not covered by this warranty.

**G.)** Fuel contamination of any kind is specifically excluded from this warranty.

**H.)** Hulls modified in any way or hulls on which the engine installation has been modified in any way are not covered by this warranty.

**I.)** This warranty does not cover tears, cracking, fading, discoloration, or mildewing of curtains, cushions, tops, headliners, or other fabric or upholstered items.

**J.)** This warranty does not cover components not manufactured by C & C Marine, Inc., whether or not warranted by the other manufacturer, even if installed by C & C Marine, Inc., including but not limited to engines, propellers, appliances, and air conditioning. Warranties provided to generator sets, controls, electronics, batteries, appliances and air conditioning. C & C Marine, Inc. by component manufacturers shall be passed on to purchaser to the extent that such transfer is permitted by manufacturer.

**K.)** Haul out, launch and transportation charges.

**L.)** The cost of removal or reinstallation of parts or disassembly of units to repair or replace components covered by this warranty.

**M.)** Damage caused by an improper trailer or mismatching of a NorthCoast Boat™ to a trailer, failure to properly secure the boat to the trailer, or failure to use a lower unit support device when transporting the boat.

**5.** This warranty shall not apply to any boat that has been overpowered according to the maximum manufacturer recommended engine horsepower specifications on the capacity plate affixed to the boat, if one shall appear on said boat.

**6.** Speeds, fuel consumption, weights and other characteristics of performance are strictly estimating and therefore cannot be and are not guaranteed. Any oral statement or printed statement regarding any performance characteristic of the boat or its components shall be considered an estimate only and shall not be relied upon as express warranty as a basis of the bargain for the boats or its components.

**7.** C & C Marine, Inc. reserves the right to improve its boats at any time through modifications in design, use of new materials and / or incorporation of new methods of manufacture without any obligation to incorporate such changes into boats of prior manufacture.

**8.** C & C Marine, Inc.'s obligation under this warranty is limited to repairing or replacing, at our option, hulls that C & C Marine, Inc. determines to be structurally defective. This is your sole and exclusive remedy.

**9.** This warranty and the rights and remedies under it is exclusive and is given in place of all other warranties, whether expressed or implied, including any implied warranty of merchantability or fitness for particular purpose, whether arising by law, custom, conduct, or usage of trade. Purchaser's remedies shall be limited as stated herein and C & C Marine, Inc. shall not be liable for any incidental, consequential or indirect damages or losses resulting from defects.

**10.** This limited warranty gives purchaser specific legal rights. Purchaser may have other rights which may vary from state to state. In the event that implied warranties are found to exist under the laws of a particular state notwithstanding the exclusions contained herein, the duration of any such warranty shall be limited to the duration of the applicable limited warranty stated herein.

**11.** The selling dealer is not an agent of C & C Marine, Inc. or a co-warrantor and is not authorized by C & C Marine, Inc. to amend or modify this warranty in any manner.

## **OWNERS RIGHTS AND RESPONSIBILITIES**

**12.** The owner must notify C & C Marine, Inc. or an authorized C & C Marine, Inc. dealer of any defect in material or workmanship within thirty (30) days of discovery.

**13.** C & C Marine, Inc. reserves the right to require that all repairs and / or replacements be done by our

factory in Bristol, Rhode Island., the authorized dealer who originally sold the boat, or at a repair facility that we choose. Boats or parts will be transported to the selected repair facility at the owner's expense. Haul out fees are the responsibility of the owner. Reimbursement to repair facilities under the warranty will be based on a rate and schedule established by C & C Marine, Inc.

**14.** In no event will C & C Marine, Inc be liable for any incidental, special, or consequential damages or for any other loss, damage, or expense of any kind, including loss of profits or enjoyment.

## **WARRANTY REGISTRATION**

**15.** Proper warranty registration is required to validate the warranty. The warranty registration must be filled out by the first purchaser and the authorized dealer at the time the boat is purchased. This warranty shall not be valid unless that factory warranty paperwork is properly executed and mailed within ten (10) days of the purchase of the NorthCoast boat. Failure to register properly could void the warranty. This warranty registration is for recreational boats only.

## **TRANSFER OF WARRANTY**

**16.** Coverage remaining under the limited warranty period may be transferred to a subsequent purchaser within the applicable limited warranty period. Any subsequent owners during the warranty period must provide C & C Marine, Inc. **In writing**, the HIN, name and address of new owner, and the name of name of the previous owner. A request for transfer must be made in writing to C & C Marine, Inc., 75 Ballou Blvd., Bristol, RI 02809 within 15 days of transfer.

Please send a copy of the prior owner's information. The new owner and purchaser agree to all items and conditions of the warranty. Only the unused portion of the warranty will apply to the new owner. The new owner must fill out the **Transferable Warranty Form**.



**NorthCoast Boats**  
**Warranty Registration Form**

**IN ORDER TO REGISTER WARRANTY, THIS FORM MUST BE COMPLETED AND  
SENT WITHIN 10 DAYS OF DELIVERY TO:**

**C & C MARINE, INC.  
75 BALLOU BLVD.  
BRISTOL, RI 02809  
ATTN: CUSTOMER SERVICE- WARRANTY DEPT.**

**Buyer' Name:** \_\_\_\_\_ **Phone #:** \_\_\_\_\_

**Buyer's Address:** \_\_\_\_\_  
\_\_\_\_\_

**Year & Model:** \_\_\_\_\_ **Date of Delivery:** \_\_\_\_\_

**Hull Identification #:** \_\_\_\_\_ **Invoice #:** \_\_\_\_\_

**Engine Port:** \_\_\_\_\_ **Stbd:** \_\_\_\_\_

**Serial # Port:** \_\_\_\_\_ **Stbd:** \_\_\_\_\_

**Outdrive Port:** \_\_\_\_\_ **Stbd:** \_\_\_\_\_

**Serial # Port:** \_\_\_\_\_ **Stbd:** \_\_\_\_\_

**Selling Dealer:** \_\_\_\_\_ **Phone#:** \_\_\_\_\_

**Dealer Address:** \_\_\_\_\_  
\_\_\_\_\_

**PDI (Boat and Engine) Performed:** \_\_\_\_\_

**Buyer's Signature\*:** \_\_\_\_\_ **Date:** \_\_\_\_\_

**Dealer's Signature:** \_\_\_\_\_ **Date:** \_\_\_\_\_

**\* Buyer acknowledges by his/her signature that he/she has read the warranty statement and agrees with the terms and conditions stated therein. The buyer also acknowledges the receipt of a copy of this warranty at the time of delivery.**

**NorthCoast Boats**  
**Warranty Transfer Form**

**IN ORDER TO VALIDATE TRANSFER OF WARRANTY, THIS FORM MUST BE COMPLETED AND SENT WITHIN 15 DAYS OF SALE TO:**

**C & C MARINE, INC.  
75 BALLOU BLVD.  
BRISTOL, RI 02809  
ATTN: CUSTOMER SERVICE-WARRANTY DEPT.**

**New Buyer:** \_\_\_\_\_ **Phone #:** \_\_\_\_\_

**New Buyer's Address:** \_\_\_\_\_  
\_\_\_\_\_

**Original Buyer:** \_\_\_\_\_ **Phone #:** \_\_\_\_\_

**Original Buyer's Address:** \_\_\_\_\_  
\_\_\_\_\_

**Year & Model:** \_\_\_\_\_ **Date of Sale:** \_\_\_\_\_

**Hull Identification #:** \_\_\_\_\_

**Selling Dealer:** \_\_\_\_\_

**Selling Dealer's Address:** \_\_\_\_\_  
\_\_\_\_\_

**Selling Dealer's Signature:** \_\_\_\_\_ **Date:** \_\_\_\_\_

**New Buyer's Signature\*:** \_\_\_\_\_ **Date:** \_\_\_\_\_

**\*New Buyer acknowledges by his/her signature that he/she has read the warranty statement and agrees with the terms and conditions stated within. The New Buyer acknowledges the receipt of a copy of this warranty at the time of sale.**

Amount of chlorine compound required for 100-ppm solution.

Gallons Of Solution	Chlorinated Lime 25% (ounces)	High Test Calcium Hypochlorite 70% (ounces)	Liquid Sodium Hypochlorite 1% (quarts)
5	0.3	0.1	0.2
10	0.6	0.2	0.4
15	0.9	0.3	0.6
20	1.2	0.4	0.8
30	1.8	0.6	1.2
50	3.0	1.0	2.0
100	6.0	2.0	4.0

Reprinted from ABYC Appendix H-23.

### **RECOMMENDED TOOLS FOR ONBOARD MAINTENANCE**

- Screw Drivers
  - a. Straight - stubby - offset - jewelers set
  - b. Phillips - stubby - offset - jewelers set
- Set Adjustable Wrenches
- Set Open/Box standard & metric to 1" and 19 mm
- Socket Set standard & metric to 1" and 19 mm
- Channel Locks: 12" and largest available
- Pliers
- Needle Nose Pliers - small and large
- Wire Strippers/Crimps
- Vise Grips - large and small
- Utility Knife
- Multi-Meter
- Spare Parts Kits

## HOW TO LOAD YOUR BOAT ON THE TRAILER

### 1. Drop And Go

Drop the driver of the tow vehicle off at the end of the dock to go retrieve the rig. Idle out away from the ramp. Or, if you won't be impeding others, pull alongside the far end of the dock. Meanwhile, attach a line to a bow cleat, and one to the stern — especially important if there is wind or current.

### 2. Evacuate

When you see your rig pulling into position to back down the ramp, get everyone off the boat except the operator. Leave the gear aboard; that's for later. Hold the lines to keep the boat in position just beyond the reach of the trailer. Signal the vehicle driver when the trailer has backed far enough down the ramp for loading. He/she should put the vehicle in park, engage the parking brake, and leave the engine running.

### 3. Drag or Drive

Many boats can be floated most of the way onto the trailer without much effort. But if your boat is large or susceptible to being pushed about by crosswinds, you may have more control if you SLOWLY drive it on to the trailer. Do not apply the throttle to "power load," as this practice washes away the material under the end of the ramp leading to it eventually collapsing.

### 4. Winch It On

At this point, either you, or the driver needs to position themselves on the trailer tongue to attach the winch strap or cable to the bow eye of the boat, and crank the boat fully onto the trailer. When the bow is snug against the winch post, attach the safety chain.

### 5. Pull Up Slowly

Have the driver pull slowly up the ramp, pausing to allow you to raise the outboard or sterndrive if necessary. Follow the tow vehicle to the loading zone.

### 6. Unload & Drain

Don't forget where you put the plug!

Pull the plug and drain any live wells. You want any water in the boat to end up back in the same body of water it came from to minimize the risk of transferring invasive species. Do this first so there's plenty of time for the boat to drain while you load your gear into the tow vehicle, attach transom tie-downs to the transom eyes, lower any bimini or antennas, or anything else that needs to happen before the boat can hit the highway. Don't forget to plug in the trailer lights!

**NEVER STRAP OVER THE BOAT THIS WILL DAMAGE THE GELCOAT AND AVOID ALL WARRANTIES.**